

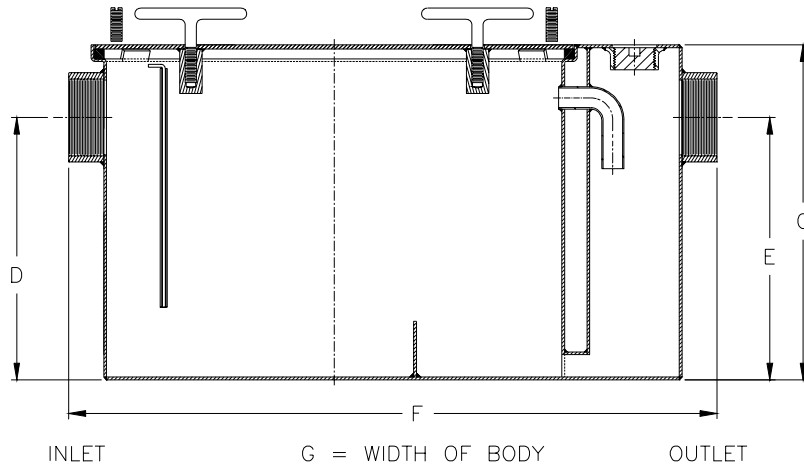


Z1170-103 GREASE INTERCEPTOR

SPECIFICATION SHEET

TAG _____

Dimensional Data (inches and [mm]) are Subject to Manufacturing Tolerances and Change Without Notice



Size	Inlet/ Outlet Size**	Flow Rate G.P.M. [L]	Capacity		Approx. Wt. Lbs. [kg]	Dimensions in Inches			
			Water Gal. [L]	Grease Lbs. [kg]		C	D/E	F	G
100	2 [50]	4 [15]	3 [11]	8 [4]	42 [19]	10 [254]	7 1/4 [184]	20 3/8 [518]	9 7/8 [251]
200		7 [26]	5 [19]	14 [6]	53 [24]	11 1/4 [286]	8 1/8 [206]	21 3/4 [552]	11 7/8 [302]
300		10 [38]	6 [23]	20 [9]	66 [30]	11 3/4 [298]	8 1/4 [210]	25 1/8 [638]	14 [356]
400	3 [75]	15 [57]	10 [38]	30 [14]	83 [38]	13 3/8 [340]	9 3/8 [238]	27 1/8 [689]	16 3/4 [425]
500		20 [76]	16 [60]	40 [18]	99 [45]	15 [381]	11 3/4 [298]	30 [762]	17 1/4 [438]
600		25 [94]	21 [79]	50 [23]	124 [56]	17 [432]	12 1/2 [318]	32 1/4 [819]	19 7/8 [505]
700		35 [132]	30 [113]	70 [32]	151 [68]	18 3/4 [476]	14 1/4 [362]	34 1/8 [867]	22 1/2 [572]
800		50 [189]	40 [151]	100 [45]	180 [82]	21 1/2 [546]	16 [406]	36 [914]	24 1/2 [622]

ENGINEERING SPECIFICATION: ZURN Z1170-103 Acid Resistant Coated interior and exterior fabricated steel grease interceptor, PDI, rated at _____ GPM and _____ Lbs. grease capacity, with internal air relief by-pass, bronze cleanout plug, removable pressure equalizing/flow diffusing inlet baffle, fixed bottom outlet baffle, and visible double wall trap seal. Gasketed, non-skid, secured aluminum cover complete with bronze lift handles and handle port plugs, with Z1108 flow control fitting. Regularly furnished with a high inlet and outlet connection. Note: Location of outlet from bottom of interceptor cannot be changed.

PREFIXES

- _____ Z Acid Resistant Coated Fabricated Steel*
- _____ ZS All Type 304 Fabricated Stainless Steel

SUFFIXES

- _____ -DI Dual High/Low Inlet.
 - _____ -E Acid Resistant Coated Interior and exterior fabricated steel extension section. (Specify 'C' Dim. required) for recessed installation.
 - _____ -HD Heavy Duty Cover rated at 10,000 lbs. maximum safe live load. A 3 [76] minimum extension height is required when Heavy Duty Cover (-HD) option is specified.
 - _____ -K Anchor flange 1 3/4 [44] down from top and 2 [51] wide. A 3 [76] minimum extension height is required when anchor flange (-K) option is specified. (Specify 'C' Dim. height required.)
 - _____ -KC Anchor flange 1 3/4 [44] down from top and 2 [51] wide with clamp collar. A 3 [76] minimum extension height is required when anchor flange (-K) option is specified.
 - _____ -L Angle type (Z1108-L) flow control device with plunger.
 - _____ -R Acid resistant coated interior and exterior fabricated steel recessing receiver for recessed installation is equipped with adjustable support brackets and gasketed, non-skid, secured aluminum cover with bronze lift handles and handle port plugs.
 - _____ -RE Acid resistant coated interior and exterior fabricated steel recessing receiver enclosed type for recessed installation. Furnished with adjustable support brackets and gasketed, non-skid, secured aluminum cover with bronze lift handles and handle port plugs.
 - _____ -T Cover recessed for tile/terrazzo. A 3 [76] minimum extension height is required. (Specify 'C' Dim. and required recess depth - 1/8 [3], 3/4 [19], or 1 1/4 [32]).
- ** Inlet and outlet sizes shown indicate standard operating sizes and flow control setting. Size #300 will have 3[75] connections reduced to 2[50] and sizes #600 thru #800 will have 4[100] connections reduced to 3[75] as standard. If changed, flow control must be adjusted accordingly.

REV.	DATE: 1/2/03	C.N. NO. 90143
DWG. NO. P-14953 PRODUCT NO. Z1170-103		

*REGULARLY FURNISHED UNLESS OTHERWISE SPECIFIED