

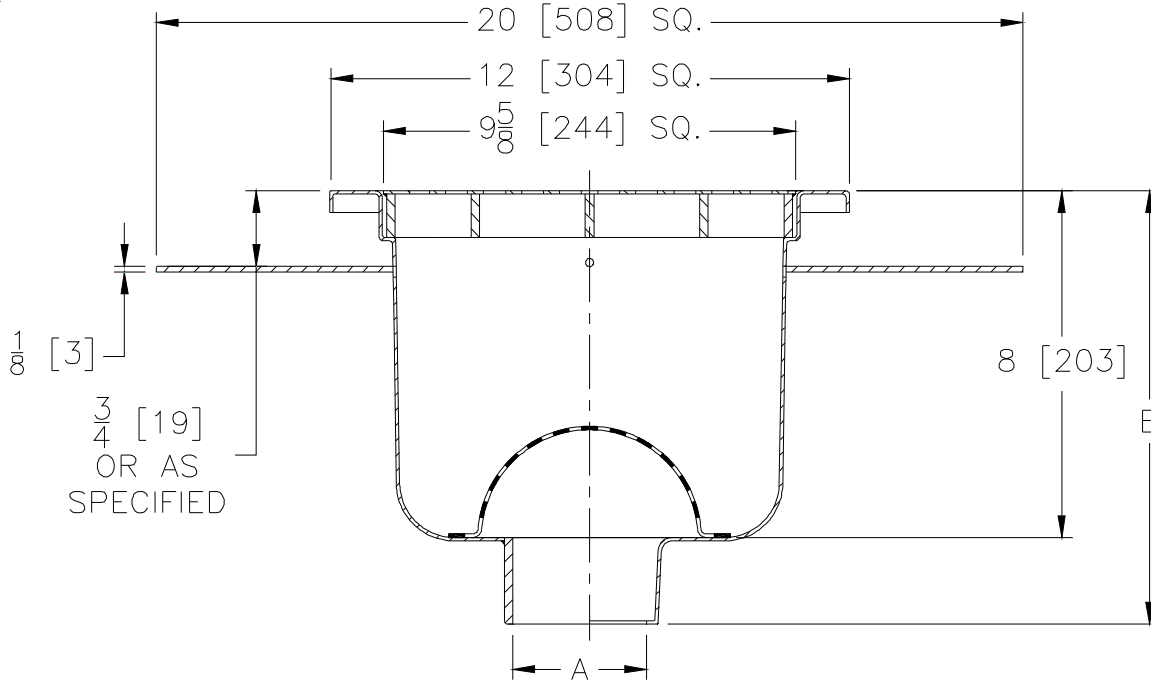


# Z1751-149

## 12 X 12 [305 X 305] SANI-FLOR RECEPTOR 8 [203] SUMP DEPTH WITH LOOSE-SET GRATE & WIDE FLANGE

TAG \_\_\_\_\_

Dimensional Data (inches and [ mm ]) are Subject to Manufacturing Tolerances and Change Without Notice



A - Pipe Size Inches [mm]	Approx. Wt. Lbs. [kg]	Grate Open Area Sq. In. [cm <sup>2</sup> ]
2,3,4 [51,76,102]	19 [9]	23 [148]
6 [152]	21 [9]	

### ENGINEERING SPECIFICATIONS: ZURN Z1751-149

12" x 12" x 8" [305mm x 305mm x 203mm] Deep, 16 gage, All Type 304 (CF8) Stainless Steel Sani-Flor receptor with wide flange, non tilt, loose set full grate with 1/2" [13mm] square openings and anti-splash interior dome stainer. Complete with seepage holes.

### OPTIONS (Check/specify appropriate options)

#### PIPE SIZE

- 2,3,4 [51,76,102]
- 2 [51]
- 3 [76]
- 4 [102]
- 2,3,4,6 [51,76,102,152]
- 2,3,4 [51,76,102]

#### (Specify size/type) OUTLET

- \_\_\_\_\_ IC Inside Caulk
- \_\_\_\_\_ IP Threaded
- \_\_\_\_\_ IP Threaded
- \_\_\_\_\_ IP Threaded
- \_\_\_\_\_ NH No-Hub
- \_\_\_\_\_ NL Neo-Loc

#### 'E' BODY HT. DIM.

- 10-9/16 [268]
- 9-5/16 [237]
- 9-9/16 [243]
- 10-1/16 [256]
- 10-1/16 [256]
- 9-13/16 [249]

#### PREFIXES

- \_\_\_ Z Type 304 (CF8) Stainless Steel Body\*
- \_\_\_ ZM Type 316 (CF8M) Stainless Steel

#### SUFFIXES

- |  |  |
|--|--|
| ___ -P 1/2 [13] Trap Primer Connection                                       | ___ -3 3/4 Grate   |
| ___ -TC Neo-Loc Test Cap Gasket<br>(2,3,4 [51,76,102] NL Bottom Outlet Only) | ___ -4 Full Grate w/ 3 [76] Square Center Opening                                      |
| ___ -VP Vandal-Proof Secured Top   | ___ -5 Grate w/ 4 [102] Dia. x 3-3/4 [95] High<br>Type 304 Stainless Steel Funnel      |
| ___ -Y Sediment Bucket   | ___ -8 Grate w/ 9 [229] Dia. x 3-1/2 [90] High<br>Type 304 Stainless Steel Oval Funnel |
| ___ -YS Suspended Sediment Bucket  |  |
| ___ -2 1/2 Grate   |  |

\* Regularly furnished unless otherwise specified.