



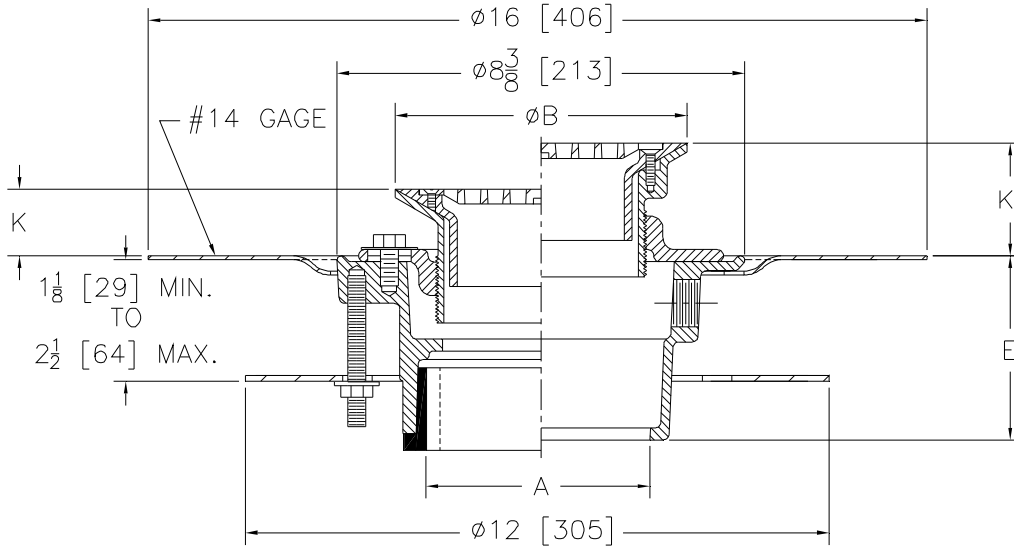
Z415H-76

SPECIFICATION SHEET

BODY ASSEMBLY W/ "TYPE H" STRAINER & UNDERDECK CLAMP AND SUMP RECEIVER

TAG _____

Dimensional Data (inches and [mm]) are Subject to Manufacturing Tolerances and Change Without Notice



Dimensions In Inches						Approx. Wt. Lbs. [kg]	Strainer Open Area Sq. In. [cm ²]
A - Pipe Size	B - Top Size	K		K'			
		Min.	Max.	Min.	Max.		
2-3-4 [51-76-102]	6 [152]	1 3/8 [52]	2 3/8 [60]	1 3/4 [44]	2 7/8 [60]	15 [6]	7 [45]
	9 [229]					22 [8]	18 [116]

ENGINEERING SPECIFICATION: ZURN ZN415H-76

Floor and shower drain, Dura-Coated cast iron body with bottom outlet, combination invertible membrane clamp, adjustable collar with seepage slots, underdeck clamp, sump receiver, and "TYPE H" polished nickel bronze strainer with flashing clamp.

OPTIONS (Check/specify appropriate options)

PIPE SIZE

- 2 thru 4 [51 thru 102]
- 2 [51]
- 3 [76]
- 4 [102]
- 2 thru 4 [51 thru 102]
- 2 thru 4 [51 thru 102]

(Specify size/type) OUTLET

- ___ IC Inside Caulk
- ___ IP Threaded
- ___ IP Threaded
- ___ IP Threaded
- ___ NH No-Hub
- ___ NL Neo-Loc

'E' BODY HT. DIM.

- 3 7/8 [98]
- 2 3/8 [60]
- 2 5/8 [67]
- 2 7/8 [73]
- 3 7/8 [98]
- 3 3/4 [95]

PREFIXES

- ___ ZB D.C.C.I. Body Assembly w/ Polished Bronze Top
- ___ ZN D.C.C.I. Body Assembly w/ Polished Nickel Bronze Top*

SUFFIXES

- ___ -AR Acid Resisting Epoxy Coated Cast Iron
- ___ -G Galvanized Cast Iron
- ___ -P Trap Primer Connection (Specify 1/2 [13] or 3/4 [19])
- ___ -SR Stabilizer Ring
- ___ -U 1 - 3 [25 - 76] High Extension Adapter
- ___ -V Backwater Valve
- ___ -VP Vandal-Proof Secured Top
- ___ -Y Sediment Bucket
- ___ -18 Leveling Ring (See Z400-18)
- ___ -90 90° Threaded Side Outlet Body Assembly (2 [51], 3 [76] Only)

*REGULARLY FURNISHED UNLESS OTHERWISE SPECIFIED

REV.	DATE: 02/13/08	C.N. NO. 98105
DWG. NO. P-15517	PRODUCT NO. Z415H-76	