

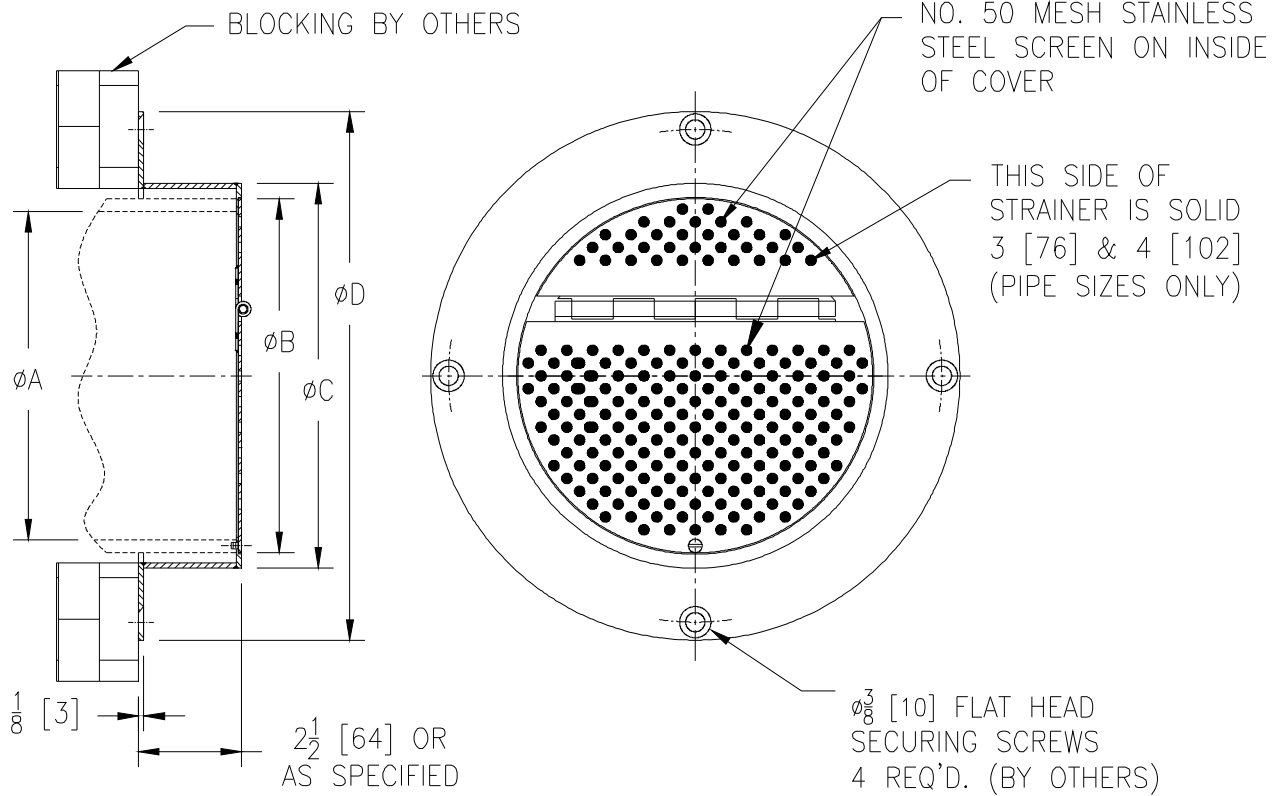


Z199-DC-76 DOWNSPOUT COVER WITH STAINLESS STEEL MESH LINER

SPECIFICATION SHEET

TAG _____

Dimensional Data (inches and [mm]) are Subject to Manufacturing Tolerances and Change Without Notice



Dimensions In Inches				Strainer Open Area Sq. In. [cm ²]
A Pipe Size	B	C	D	
3 [76]	3 1/2 [89]	4 1/4 [108]	7 3/4 [197]	1 [6]
4 [102]	4 1/2 [114]	5 1/4 [133]	8 3/4 [222]	2 [13]
6 [152]	6 5/8 [168]	7 3/8 [187]	10 7/8 [276]	6 [39]
8 [203]	8 5/8 [219]	9 3/8 [238]	12 7/8 [327]	10 [65]
10 [254]	10 3/4 [273]	11 1/2 [292]	15 [381]	18 [116]
12 [305]	12 3/4 [324]	13 1/2 [343]	17 [432]	26 [168]
15 [381]	15 [381]	16 5/8 [422]	20 1/8 [511]	40 [258]

ENGINEERING SPECIFICATION: ZURN ZS199-DC-76
Downspout Cover, round fabricated stainless steel frame with fabricated secured perforated stainless steel hinged strainer. Hinged and fixed covers to be lined with No. 50 mesh stainless steel screen.

OPTIONS (Check/specify appropriate options)

PREFIXES

___ ZS Type 304 Stainless Steel*

SUFFIXES

___ -VP Vandal-Proof Secured Top
___ -5 5 [127] Long Downspout Frame

*REGULARLY FURNISHED UNLESS OTHERWISE SPECIFIED

REV.	DATE: 10/1/09	C.N. NO. 110269
DWG. NO. P-15774		PRODUCT NO. Z199-DC-76