



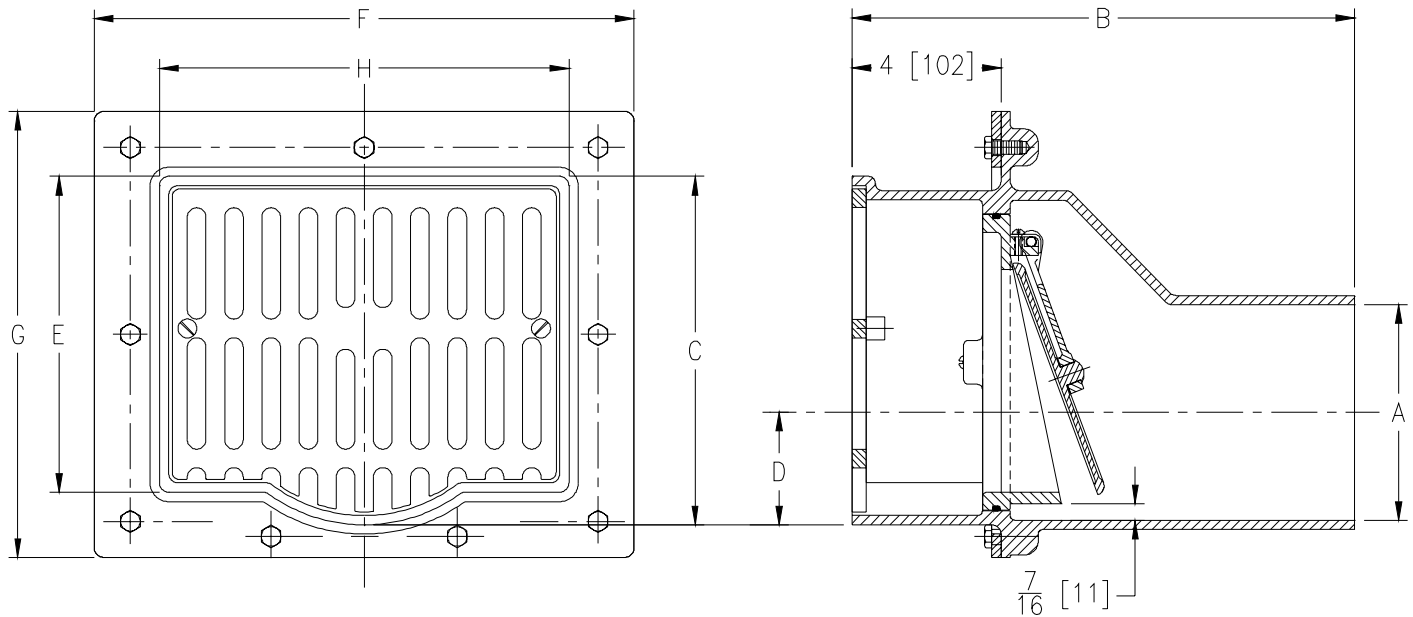
# Z629-C

## VERTICAL WALL DRAIN W/ BACKWATER VALVE & CLAMP COLLAR

SPECIFICATION SHEET

TAG \_\_\_\_\_

Dimensional Data (inches and [ mm ]) are Subject to Manufacturing Tolerances and Change Without Notice



A Pipe Size	Dimensions In Inches							Approx. Wt. Lbs. [kg]	Grate Open Area Sq. In. [cm <sup>2</sup> ]
	B	C	D	E	F	G	H		
3 [76]	13 [330]	7 5/8 [194]	1 1/2 [38]	6 7/8 [175]	12 3/4 [324]	11 [279]	9 1/4 [235]	47 [21]	20 [129]
4 [102]	13 [330]	7 5/8 [194]	2 [51]	6 7/8 [175]	12 3/4 [324]	11 [279]	9 1/4 [235]	47 [21]	20 [129]
6 [152]	13 1/2 [343]	9 3/8 [238]	3 1/8 [79]	8 1/2 [216]	14 1/2 [368]	12 [305]	11 [279]	58 [26]	33 [213]

**ENGINEERING SPECIFICATION: ZURN Z629-C**

Vertical wall drain, Dura-Coated cast iron body w/ clamp collar, bronze valve assembly and secured slotted grate.

**OPTIONS** (Check/specify appropriate options)

**PIPE SIZE** (Specify size) **OUTLET**  
 3, 4, 6 [76, 102, 152] \_\_\_\_\_ NH No-Hub

**PREFIXES**  
 \_\_\_\_\_ Z D.C.C.I. Body with Aluminum Grate\*  
 \_\_\_\_\_ ZB D.C.C.I. Body with Polished Bronze Grate  
 \_\_\_\_\_ ZN D.C.C.I. Body with Polished Nickel Bronze Grate

**SUFFIXES**  
 \_\_\_\_\_ -G Galvanized Cast Iron  
 \_\_\_\_\_ -LY (Less) Backwater Valve  
 \_\_\_\_\_ -VP Vandal-Proof Secured Top

REV.	DATE: 12/22/04	C.N. NO. 92804
DWG. NO. 82162	PRODUCT NO. Z629-C	

\*REGULARLY FURNISHED UNLESS OTHERWISE SPECIFIED