



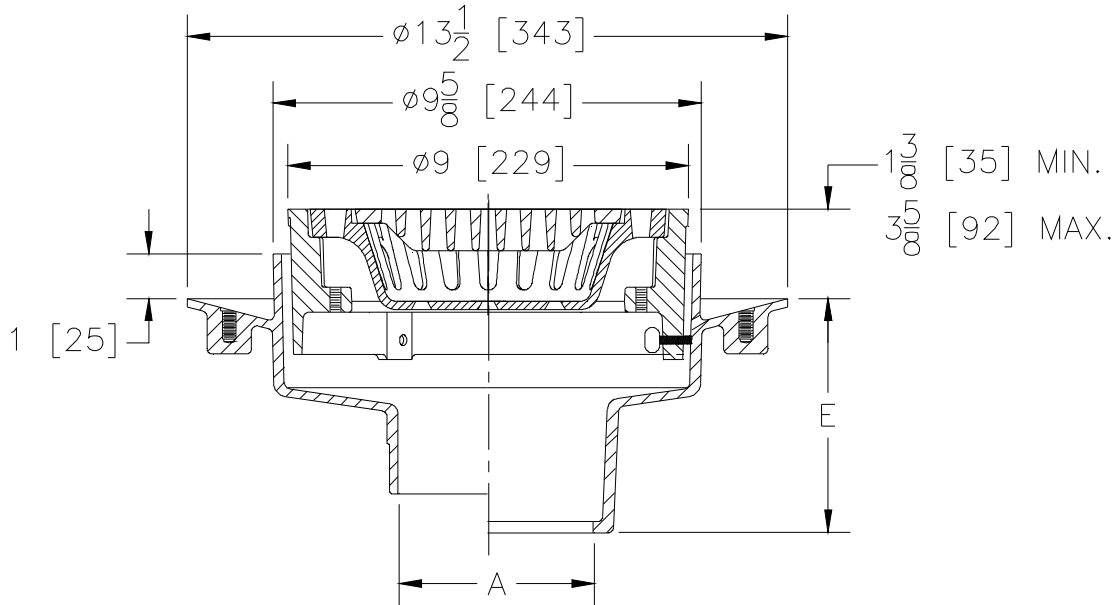
Z525-81

9 [229] DIAMETER ADJUSTABLE MEDIUM DUTY DRAIN W/ SUR-SET BUCKET

SPECIFICATION SHEET

TAG _____

Dimensional Data (inches and [mm]) are Subject to Manufacturing Tolerances and Change Without Notice



A- Pipe Size In.	Approx. Wt. Lbs. [kg]	Grate Open Area Sq. In. [cm ²]
2-3-4 [51-76-102]	35 [16]	18 [116]
6 [152]	35 [16]	

ENGINEERING SPECIFICATION: ZURN Z525-81

9 [229] Diameter top drain, Dura-Coated cast iron body with bottom outlet, seepage pan and adjustable extension frame with medium duty cast iron grate, and sur-set bucket.

OPTIONS (Check/specify appropriate options)

PIPE SIZE

- 2-3-4 [51-76-102]
- 2-3-4 [51-76-102]
- 2-3-4 [51-76-102]
- 2-3-4-6 [51-76-102-152]
- 2-3-4 [51-76-102]

(Specify size/type) **OUTLET**

- ___ IC Inside Caulk
- ___ IG Inside Gasket
- ___ IP Threaded
- ___ NH No-Hub
- ___ NL Neo-Loc

'E' DIM.

- 5-1/4 [133]
- 5-1/4 [133]
- 3-1/2 [89]
- 4-1/4 [108]
- 4-3/8 [111]

PREFIXES

- ___ Z D.C.C.I. Body and Top*
- ___ ZB D.C.C.I. Body with Polished Bronze Top (Add 3/16 [5] to 1-3/8 [35] - 3-5/8 [92] Dim. & 5/8 [16] to 9 [229] Dim.)
- ___ ZN D.C.C.I. Body with Polished Nickel Bronze Top (Add 3/16 [5] to 1-3/8 [35] - 3-5/8 [92] Dim. & 5/8 [16] to 9 [229] Dim.)

SUFFIXES

- ___ -C Clamp Collar
- ___ -D Dome Grate (Z Only)
- ___ -F Extension Frame (4-5/8 [117] Min. - 6-5/8 [168] Max.)
- ___ -G Galvanized Cast Iron
- ___ -H Hinged Grate (Z Only)
- ___ -P Trap Primer Connection
- ___ -S Secondary Strainer
- ___ -TC Neo-Loc Test Cap Gasket (2 [51] - 4 [102] NL Bottom Outlet Only)
- ___ -TS Top Secured with Slotted Screws
- ___ -VP Vandal-Proof Secured Top
- ___ -90 90° Side Outlet Body (See Z1042)

* Regularly furnished unless otherwise specified.