



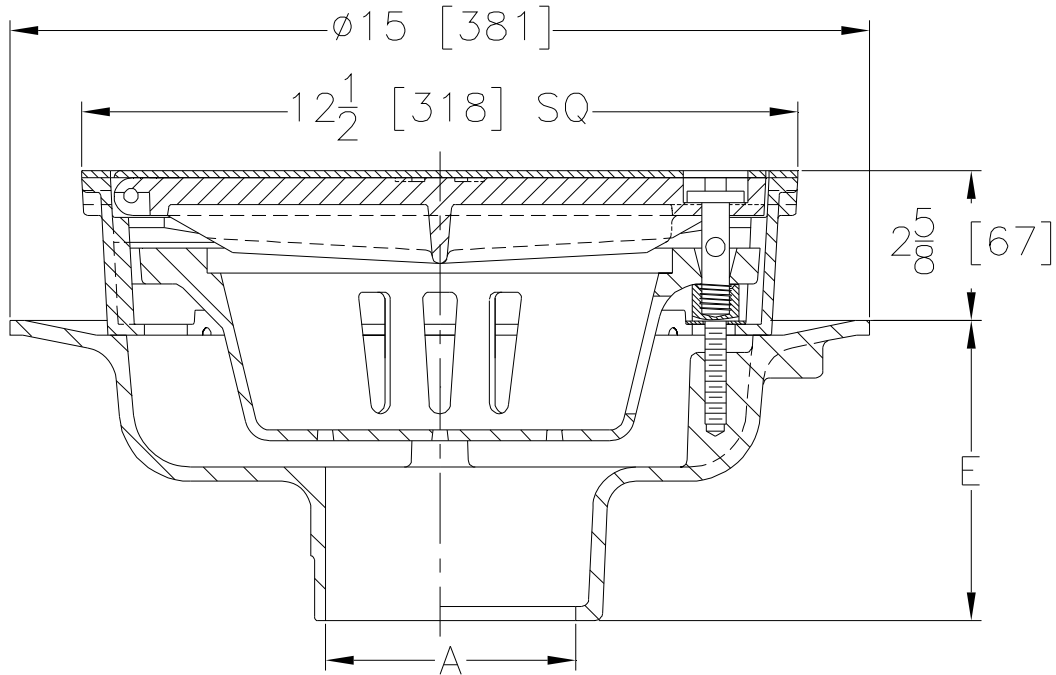
Z610-110

12 [305] HEAVY-DUTY DRAIN W/ HINGED LOCKING SOLID COVER AND STAINLESS STEEL VENEER

SPECIFICATION SHEET

TAG _____

Dimensional Data (inches and [mm]) are Subject to Manufacturing Tolerances and Change Without Notice



A Pipe Size	Approx. Wt. Lbs. [kg]
2-3-4-5-6 [51-76-102-127-152]	54 [24]
8-10 [203-254]	56 [25]

ENGINEERING SPECIFICATION: ZURN Z610-110

12 [305] Square top drain, Dura-Coated cast iron body with bottom outlet, seepage pan and combination membrane flashing clamp and frame for heavy-duty cast iron hinged locking solid cover with stainless steel veneer, and suspended sediment bucket.

OPTIONS (Check/specify appropriate options)

PIPE SIZE

- 2 thru 6, 8, 10 [51 thru 152, 203, 254]
- 2 thru 4, 6 [51 thru 102, 152]
- 2 thru 6, 8, 10 [51 thru 152, 203, 254]
- 2 thru 6, 8, 10 [51 thru 152, 203, 254]
- 2 thru 4 [51 thru 102]

(Specify size/type) **OUTLET**

- ___ IC Inside Caulk
- ___ IG Inside Caulk w/Sealtrol Gskt.
- ___ IP Threaded
- ___ NH No-Hub
- ___ NL Neo-Loc

'E' BODY HT. DIM.

- 5 1/4 [133]
- 5 1/4 [133]
- 3 3/4 [95]
- 5 1/4 [133]
- 4 5/8 [117]

PREFIXES

- ___ Z D.C.C.I. Body and Top with (Type 304) Stainless Steel Veneer*

SUFFIXES

- | | |
|---|---------------------------------------|
| ___ -AR Acid Resistant Epoxy Coated Cast Iron | ___ -V Backwater Valve (See Z1099) |
| ___ -DS Ductile Iron Solid Cover | ___ -YA Aluminum Sediment Bucket |
| ___ -F 2 [51] High Extension | ___ -90 90° Threaded Side Outlet Body |
| ___ -G Galvanized Cast Iron | |
| ___ -LY (Less) Sediment Bucket | |
| ___ -P Trap Primer Connection | |
| ___ -S Secondary Strainer | |
| ___ -SS Stainless Steel Mesh Liner for Bucket | |
| ___ -TC Neo-Loc Test Cap Gasket
(2 [51] - 4 [102] NL Bottom Outlet Only) | |

*REGULARLY FURNISHED UNLESS OTHERWISE SPECIFIED

REV.	DATE: 9/5/08	C.N. NO. 99060
DWG. NO. P-15600		PRODUCT NO. Z610-110