



# Z1800-12S-PGM

12 x 12 x 6 [305 x 305 x 152] SQUARE INDUSTRIAL FLOOR DRAIN W/MEDIUM-DUTY PERFORATED GRATE

SPECIFICATION SHEET

TAG \_\_\_\_\_

Dimensional Data (inches and [ mm ]) are Subject to Manufacturing Tolerances and Change Without Notice

**Engineering Specification:** ZURN Z1800-12S-PGM  
12" x 12" x 6" [305mm x 305mm x 152mm] deep, 18 gage, all type 304 (CF8) stainless steel square industrial floor drain with medium-duty perforated grate, reinforced top frame, perforated removable sediment bucket with lift handle, pre-sloped bottom sump, and pre-pour stabilizing anchor tabs.

Approx. Wt. Lbs. [kg]	Grate Open Area Sq. In. [cm <sup>2</sup> ]
20 [9]	27.3 [176]

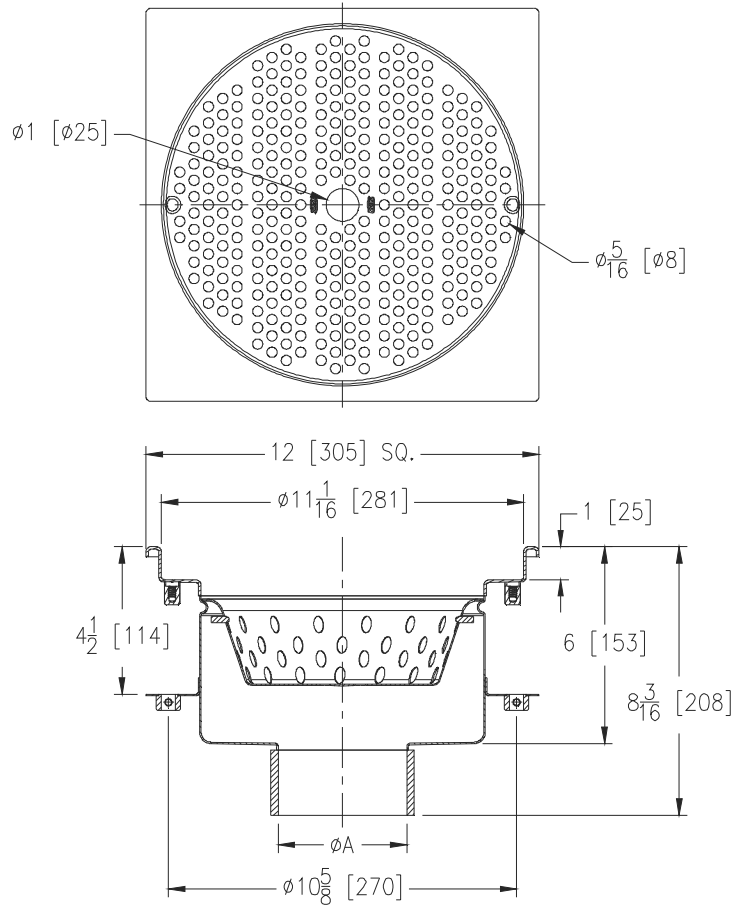
**Options** (Check/specify appropriate options)

**Pipe Size (ØA)** (Specify size/type) **Outlet**  
 3,4,6 [76,102,152]     \_\_\_ BW But-Weld (Sch. 10)  
 3,4,6 [76,102,152]     \_\_\_ NH No-Hub

**Prefixes**  
 \_\_\_ Z     Type 304 (CF8) Stainless Steel\*  
 \_\_\_ ZM    Type 316 (CF8M) Stainless Steel

**Suffixes**  
 \_\_\_ -B     Bell Trap/Solid Sediment Bucket  
 \_\_\_ -KC    Anchor Flange w/Seepage Holes and Clamp Collar  
 \_\_\_ -P     ø1/2 [13] Trap Primer Connection  
 \_\_\_ -SA    Stabilizer Assembly (Z1036)  
           3 [76] and 4 [102] outlets only  
 \_\_\_ -TS    Top Secured Grate  
 \_\_\_ -VH    Vacuum Handle (-GCX Cover Only)  
 \_\_\_ -3PT   3 [76] Stainless Steel P-Trap  
 \_\_\_ -4PT   4 [102] Stainless Steel P-Trap  
 \_\_\_ -6PT   6 [152] Stainless Steel P-Trap

**Grate Options**  
 \_\_\_ -GCX   Extra-Heavy-Duty Gas Tight Solid Cover  
 \_\_\_ -PCS   Special-Duty Perimeter Drainage Cover  
           (9.7 Sq. In. [63 cm<sup>2</sup>] Open Area)  
 \_\_\_ -SGH   Heavy-Duty Slotted Grate  
           (28.9 Sq. In. [186 cm<sup>2</sup>] Open Area)  
 \_\_\_ -SGM   Medium-Duty Slotted Grate  
           (28.9 Sq. In. [186 cm<sup>2</sup>] Open Area)



\* Regularly furnished unless otherwise specified.