



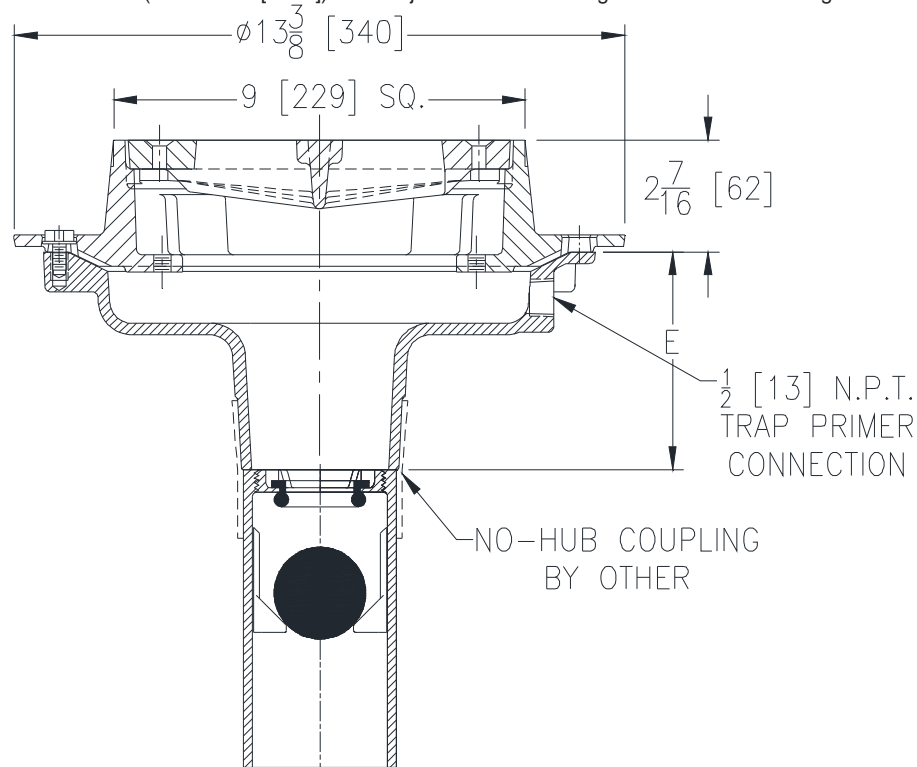
Z609-P-V

9 [229] SQUARE HEAVY-DUTY DRAIN WITH TRAP PRIMER CONNECTION AND BACKWATER VALVE

SPECIFICATION SHEET

TAG _____

Dimensional Data (inches and [mm]) are Subject to Manufacturing Tolerances and Change Without Notice



A Pipe Size	Approx. Wt. Lbs. [kg]	Grate Open Area Sq. In. [cm ²]
2-3-4 [51-76-102]	39 [18]	14 [90]

ENGINEERING SPECIFICATION: ZURN Z609-P-V
 9 [229] Square Top Drain, Dura-Coated cast iron body with bottom outlet, trap primer connection, seepage pan, heavy-duty cast iron anti-tilt slotted grate, combination membrane flashing clamp and frame, and Z1099 backwater valve.

OPTIONS (Check/specify appropriate options)

PIPE SIZE

2-3-4 [51-76-102]

(Specify size/type) **OUTLET**

___ NH No-Hub

'E' BODY HT. DIM.

4-3/4 [121]

PREFIXES

- ___ Z D.C.C.I. Body and Top*
- ___ ZB D.C.C.I. Body w/Polished Bronze Top (Add 3/16 [5] to 2-7/16 [62] Dim and 3/4 [20] to 9 [229] Dim.)
- ___ ZN D.C.C.I. Body w/Polished Nickel Bronze Top (Add 3/16 [5] to 2-7/16 [62] and 3/4 [20] to 9 [229] Dim.)

SUFFIXES

- ___ -AR Acid Resistant Epoxy Coated Cast Iron
- ___ -DG Duresist Grate
- ___ -F 2 [51] High Extension
- ___ -G Galvanized Cast Iron
- ___ -GG Galvanized Grate
- ___ -H Hinged Grate
- ___ -HL Hinged Locking Grate
- ___ -S Secondary Strainer
- ___ -SC Solid Cover
- ___ -SS Stainless Steel Mesh Liner for Bucket
- ___ -TS Top Secured With Slotted Screws
- ___ -VP Vandal-Proof Secured Top
- ___ -Y Sediment Bucket

* Regularly furnished unless otherwise specified.