



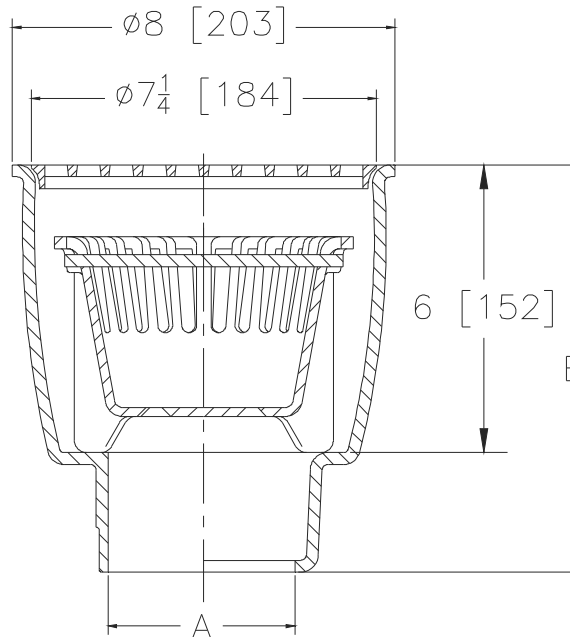
# Z1960-25

8 [203] DIAMETER A.R.E. SANI-FLOR RECEPTOR  
6 [152] SUMP DEPTH WITH WHITE A.R.C. BUCKET

SPECIFICATION SHEET

TAG \_\_\_\_\_

Dimensional Data (inches and [ mm ]) are Subject to Manufacturing Tolerances and Change Without Notice



A Pipe Size In. [mm]	Approx Wt. Lbs. [kg]	Grate Open Area Sq. In. [cm <sup>2</sup> ]
2,3,4 [51,76,102]	28 [12]	21 [136]

**ENGINEERING SPECIFICATION:** ZURN Z1960-25 Sani-Flor Receptor 8" [203mm] diameter x 6" [152mm] deep cast iron body and round square holed light duty grate, with white acid resisting porcelain enamel interior and top, black ground enamel exterior coating, complete with white A.R.C. bucket.

**OPTIONS** (Check/specify appropriate options)

**PIPE SIZE**

3,4 [76,102]  
2,3,4 [51,76,102]  
2,3,4 [51,76,102]

(Specify size/type) **OUTLET**

\_\_\_ IC Inside Caulk  
\_\_\_ NH No-Hub  
\_\_\_ NL Neo-Loc

**'E' BODY HT. DIMENSION**

Z	ZN
8-1/2 [216]	9 [229]
8-1/2 [216]	9 [229]
8 [203]	8-7/16 [214]

**PREFIXES**

\_\_\_ Z Cast Iron Body with White A.R.E. Interior\*  
\_\_\_ ZN Cast Iron Body with White A.R.E. Interior, 8-1/2 [216] Nickel Bronze Frame and Full Grate with 1/4 [6] Square Openings

**SUFFIXES**

___ -K Anchor Flange with Seepage Holes	___ -1 Less Grate
___ -KC Anchor Flange with Seepage Holes and Clamp Collar	___ -2 1/2 Grate
___ -LD Less Internal Bottom Dome Strainer	___ -3 3/4 Grate
___ -P 1/2 [13] Threaded Trap Primer Connection (See Z1023)	___ -4 Full Grate with 2 [51] Square Opening
___ -T Square Frame and Round Grate with 1/4 [6] Square Openings (ZN Only)	___ -6 Grate w/6 [152] Diameter x 6 [152] High Funnel
___ -TC Neo-Loc Test Cap Gasket (2, 3, 4 [51, 76, 102] NL Bottom Outlet Only)	___ -8 Grate w/8-7/8 x 3-5/8 x 3-3/4 [225 x 92 x 95] High Oval Funnel
	___ -11 Vandal Proof Secured Grate
	___ -15 Solid Loose Set Cover
	___ -31 Stainless Steel Mesh Liner for Bucket

\* Regularly furnished unless otherwise specified.