



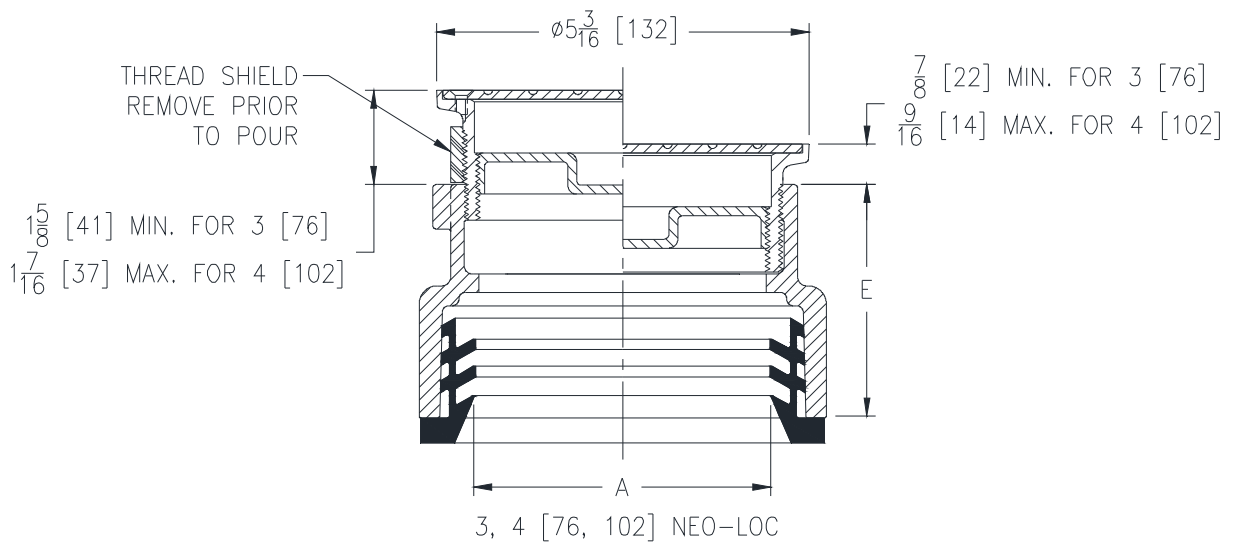
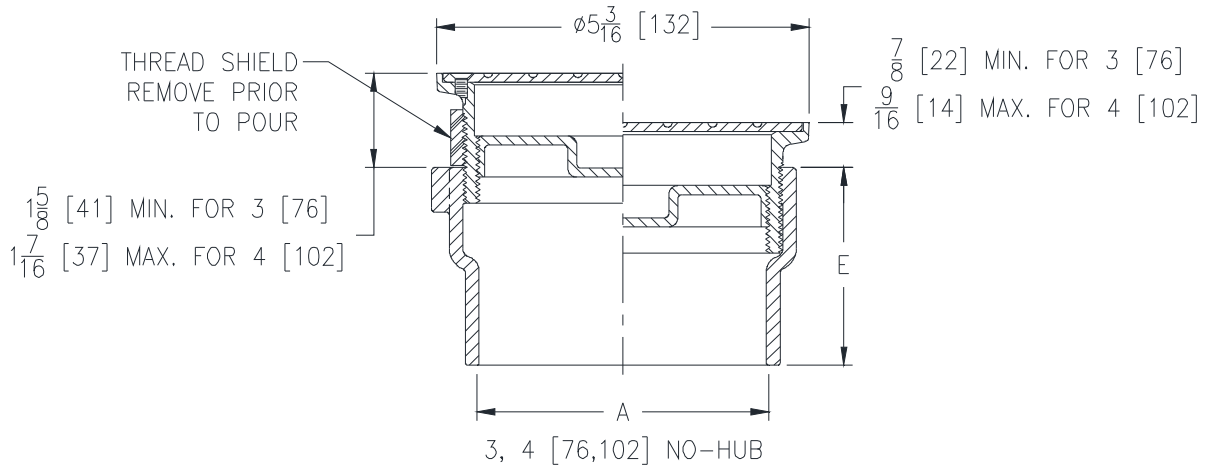
# Z1400-88

## ADJUSTABLE FLOOR CLEANOUT W/ PLUG AND SCORIATED COVER

SPECIFICATION SHEET

TAG \_\_\_\_\_

Dimensional Data (inches and [ mm ]) are Subject to Manufacturing Tolerances and Change Without Notice



### ENGINEERING SPECIFICATION: ZURN Z1400-88

Adjustable floor cleanout, dura-coated cast iron body, round nickel bronze head with gas and watertight ABS taper thread plug and scoriated nickel bronze cover. Recommended for foot traffic and medium-duty applications.

### OPTIONS (Check/specify appropriate options)

#### PIPE SIZE

3,4 [76,102]  
3,4 [76,102]

#### (Specify size) OUTLET

\_\_\_\_\_ NH No-Hub  
\_\_\_\_\_ NL Neo-Loc

#### 'E' BODY HT. DIM.

2-3/4 [70]  
3-1/4 [83]

### PREFIXES:

\_\_\_ Z D.C.C.I. Body with Polished Nickel Bronze Head and Cover

### SUFFIXES:

\_\_\_ -CM Carpet Marker

\* Regularly furnished unless otherwise specified.

Zurn Industries, LLC | Specification Drainage Operation  
1801 Pittsburgh Avenue, Erie, PA U.S.A. 16502 · Ph. 855-663-9876, Fax 814-454-7929  
In Canada | Zurn Industries Limited  
3544 Nashua Drive, Mississauga, Ontario L4V 1L2 · Ph. 905-405-8272, Fax 905-405-1292  
[www.zurn.com](http://www.zurn.com)

Rev. D  
Date: 3/27/2018  
C.N. No. 139793  
Prod. | Dwg. No. Z1400-88 | P-12985