



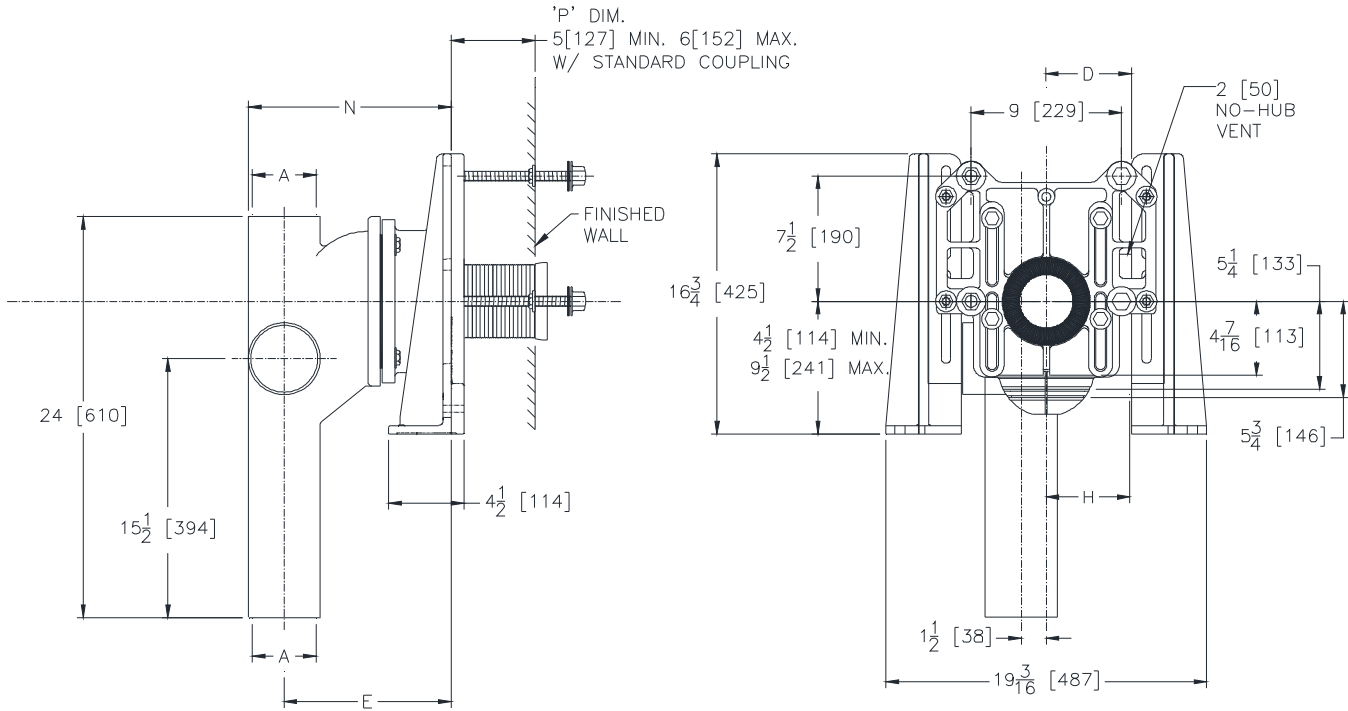
ZN1204-2N4-90

NARROW WALL ADJUSTABLE VERTICAL SIPHON
JET NO-HUB W/ RIGHT OFFSET FITTING AND 4 [102]
LEFT AND RIGHT AUXILIARY INLETS

SPECIFICATION SHEET

TAG _____

Dimensional Data (inches and [mm]) are Subject to Manufacturing Tolerances and Change Without Notice



Note:

1. Min. 'P' Dim. Obtainable = 2 [51] with cut standard coupling.
2. 2 [51] No-Hub vent connection regularly furnished on right hand side. Left hand available when specified (Suffix-VL).
3. Feet bolted to floor using min. 1/2 [13] diameter bolts and back slots on carrier feet.

| Product No. | Dimensions In Inches [mm] | | | | | Approx. Wt. Lbs. [kg] |
|---------------|---------------------------|---------|--------------|-------------|--------------|-----------------------|
| | A | D | E | H | N | |
| ZN1204-2N4-90 | 4 [102] | 5 [127] | 10-1/8 [257] | 5-1/2 [140] | 12-3/8 [314] | 88 [40] |

ENGINEERING SPECIFICATION: ZURN ZN1204-2N4-90

Adjustable, vertical siphon jet water closet "Rigid System" with 4" [102mm] size No-Hub connections. Complete with Dura-Coated cast iron main fitting, with 4" [102] left and right auxiliary inlets, 2" [51mm] vent, right offset fitting, adjustable gasketed faceplate, universal floor mounted foot supports, corrosion resistant adjustable ABS coupling with integral test cap, fixture bolts, trim, stud protectors, rear anchor tie down, and bonded "Neo-Seal" gasket.

PRODUCT/DEFINITION

____ ZN1204-2N4-88 No-Hub Stack, Single Inlet, 2 [51] Right Hand Vent

PREFIXES

- ____ Z D.C.C.I. System with Zurn "ZZ" Adjustable Coupling*
- ____ ZQ D.C.C.I. System with NPT Faceplate, Non-Adjustable Coupling

SUFFIXES

- ____ -A Auxiliary Support Assembly (For 'P'-Dim. Greater than 18 [457])
- ____ -B Blowout Type Fixture Support
- ____ -CC Corrosion Resistant Cast Iron Coupling (6 to 12 [152] to [305])
- ____ -CL Coupling Length Other than Standard 6 [152] (Specify Length Required)
- ____ -F Floor Mount, Back Outlet Fixture Support
- ____ -M Auxiliary Foot Support (For 'P'-Dim. 10-18 [254-457])
- ____ -VL Left Hand Vent Connection
- ____ -VP Vandal-Proof Trim
- ____ -X3 3 [76] Foot Extension (See Z1200-FT-EXT-3)
- ____ -X4 4 [102] Foot Extension (See Z1200-FT-EXT-4)
- ____ -45 Finishing Frame for Siphon Jet System (See Z1200-FINFRAME-SJ)
- ____ -50 Flush Valve Supply Support for W.C. (See Z1200-SPLY-SPRT-WC)

* Regularly furnished unless otherwise specified.