



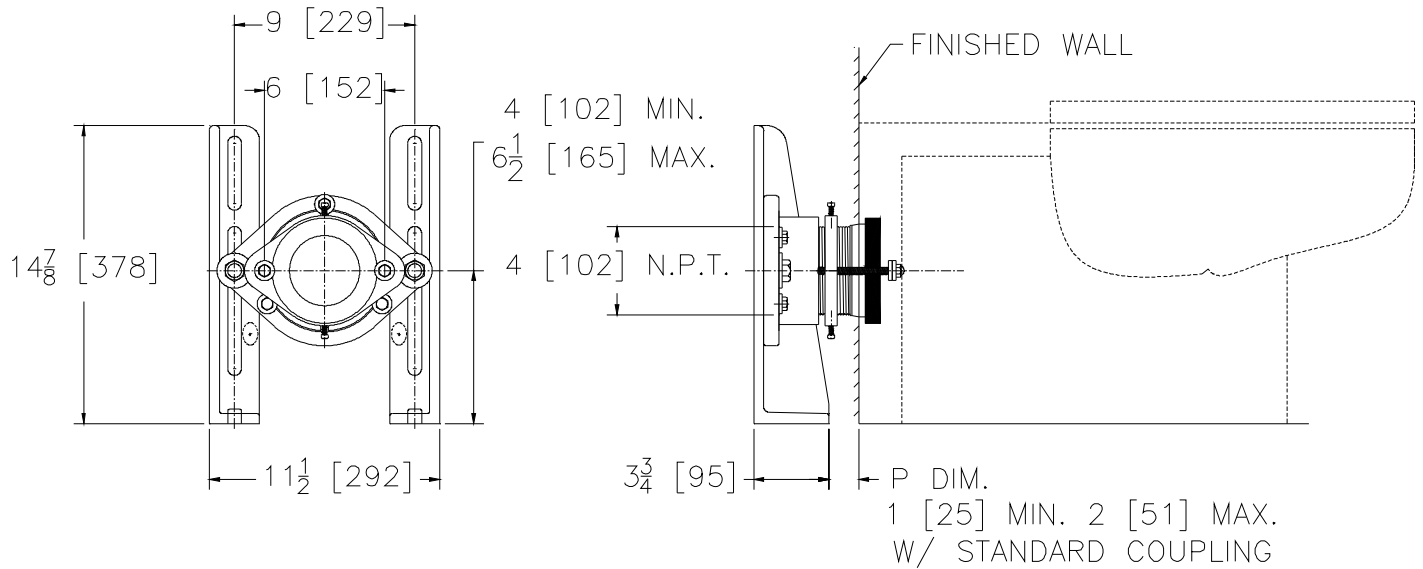
Z1212-F

WALL CLOSET SUPPORT SYSTEM FOR FLOOR MOUNTED, BACK OUTLET FIXTURE

SPECIFICATION SHEET

TAG _____

Dimensional Data (inches and [mm]) are Subject to Manufacturing Tolerances and Change Without Notice



Product No.	Approx. Wt. Lbs. [kg]
Z1212-F	30 [14]

ENGINEERING SPECIFICATION: ZURNZ1212-F

Dura-Coated cast iron wall closet support system complete with adjustable face plate rigidly mounted on reversible foot supports. ABS coupling with integral test cap, fixture bolts, trim, stud protectors and bonded "Neo-Seal" gasket along with adaptor for floor mounted back outlet closet.

OPTIONS (Check/specify appropriate options)

PREFIXES

___ Z D.C.C.I. System with Zurn "ZZ" Coupling Connection*

SUFFIXES

- ___ -CL Coupling Length Other than Standard 6 [152] (Specify Length Required)
- ___ -VP Vandal Proof Trim
- ___ -X4 4 [102] Inch High Foot Extension Assembly (See Z1200-FT-EXT-4)

* Regularly furnished unless otherwise specified.