



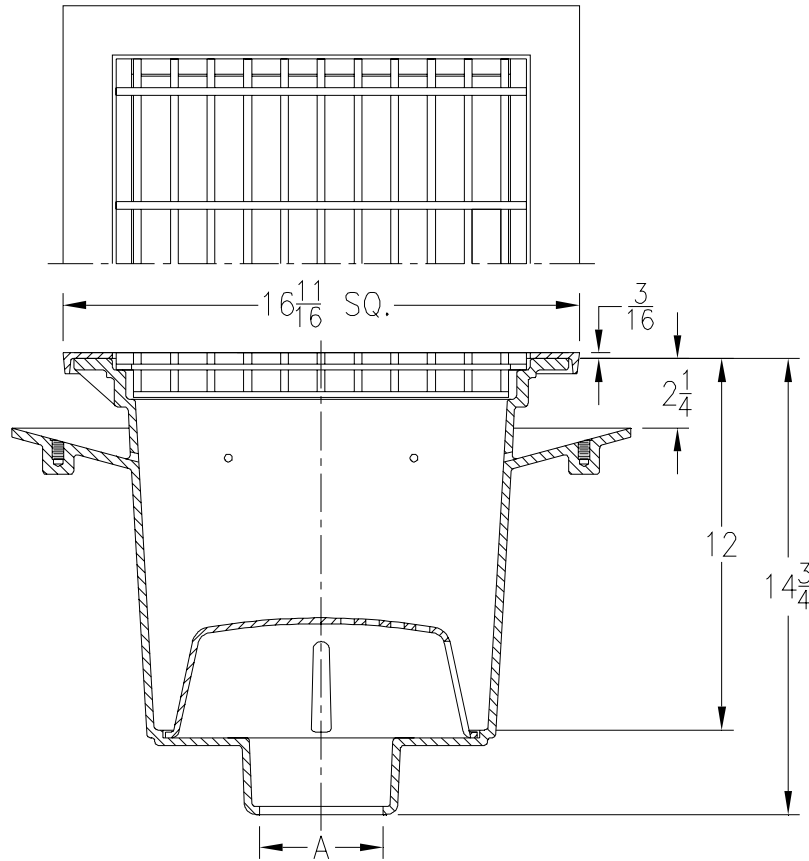
ZN1926-78

SPECIFICATION SHEET

16 11/16 [424] SQUARE A.R.C. SANI-FLOR RECEPTOR 12 [305] SUMP DEPTH W/ BAR GRATE

TAG _____

Dimensional Data (inches and [mm]) are Subject to Manufacturing Tolerances and Change Without Notice



A- Pipe Size In.	Approx Wt. Lbs. [kg]	Grate Open Area Sq. In. [cm ²]
2-3-4-6 [51-76-102-152]	150 [68]	105 [677]

ENGINEERING SPECIFICATION: ZURN ZN1926-78 Sani-Flor Receptor 16 11/16 [424] Square x 12 [305] deep cast iron body with seepage pan, veneer frame and stainless steel bar grate, with acid resisting coated interior and top. Complete with aluminum anti-splash interior bottom dome strainer.

OPTIONS (Check/specify appropriate options)

PIPE SIZE

2-3-4-6 [51-76-102-152]

(Specify size) **OUTLET**

___ IC Inside Caulk

PREFIXES

___ ZN Cast Iron Body with White A.R.C. Interior, Square N.B. Frame and Stainless Steel Bar Grate*

SUFFIXES

- ___ -LD (Less) Bottom Dome Strainer
- ___ -P 1/2 [13] Trap Primer Connection
- ___ -1 (Less) Grate
- ___ -23 Aluminum Bucket
- ___ -25 White A.R.E. Bucket
- ___ -31 Stainless Steel Mesh Liner for Bucket

REV. DATE: 6/1/06 C.N. NO. 95159

DWG. NO. P-15282 PRODUCT NO. ZN1926-78

*REGULARLY FURNISHED UNLESS OTHERWISE SPECIFIED

ZURN INDUSTRIES, INC. ♦ SPECIFICATION DRAINAGE OPERATION ♦ 1801 Pittsburgh Ave. ♦ Erie, PA 16514

Phone: 814/455-0921 ♦ Fax: 814/454-7929 ♦ World Wide Web: www.zurn.com

In Canada: ZURN INDUSTRIES LIMITED ♦ 3544 Nashua Drive ♦ Mississauga, Ontario L4V1L2 ♦ Phone: 905/405-8272 Fax: 905/405-1292