

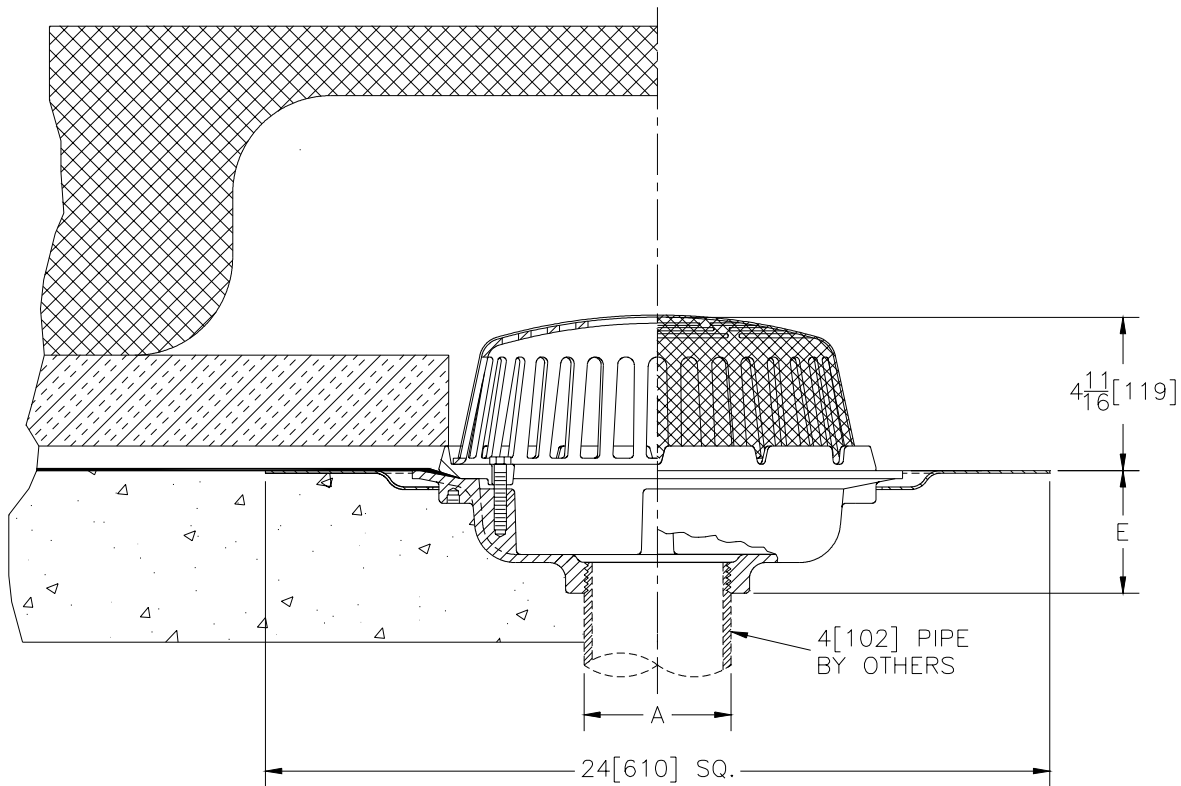


**Z-100-131**  
**15" [381] DIAMETER MAIN ROOF DRAIN**

SPECIFICATION SHEET

TAG \_\_\_\_\_

Dimensional Data (inches and [mm]) are Subject to Manufacturing Tolerances and Change Without Notice



A- Pipe Size In.	Approx. Wt. Lbs. [kg]	Dome Open Area Sq. In. [cm <sup>2</sup> ]
2-3-4 [50-75-100]	26 [12]	103 [665]
5-6 [125-150]	27 [12]	
8 [200]	28 [13]	
10 [250]	30 [14]	

**ENGINEERING SPECIFICATION:** ZURN Z-100-131 15 [381] Diameter roof drain. Dura-Coated cast iron body with combination membrane flashing clamp/gravel guard, low silhouette dome with stainless steel mesh screen over dome and roof sump receiver.

**OPTIONS** (Check/specify appropriate options)

**PIPE SIZE**

2 thru 6, 8, 10 [50 thru 150, 200, 250]

(Specify size/type) **OUTLET**

\_\_\_\_\_ IP Threaded

**E BODY HT. DIM.**

3 3/4 [95]

**PREFIXES**

- \_\_\_\_\_ ZA- D.C.C.I. Body with 6 3/4 [171] High Aluminum Dome
- \_\_\_\_\_ ZC- D.C.C.I. Body with Cast Iron Dome
- \_\_\_\_\_ ZRB- D.C.C.I. Body with Plain Bronze Dome

**SUFFIXES**

- \_\_\_\_\_ -AC Angular Underdeck Clamp
- \_\_\_\_\_ -AR Acid Resistant Epoxy Coated Finish
- \_\_\_\_\_ -BS Bronze Mesh Screen Over Dome
- \_\_\_\_\_ -C Underdeck Clamp
- \_\_\_\_\_ -G Galvanized Cast Iron
- \_\_\_\_\_ -GD Galvanized Cast Iron Dome
- \_\_\_\_\_ -VP Vandal Proof Secured Top
- \_\_\_\_\_ -XJ Vertical Expansion Joint (See Z-190)

<b>REV.</b>	<b>DATE: 04/29/96</b>	<b>C.N. NO. 75008</b>
<b>DWG. NO. P-14320 PRODUCT NO. Z-100-131</b>		

\*REGULARLY FURNISHED UNLESS OTHERWISE SPECIFIED

ZURN INDUSTRIES, INC. ♦ SPECIFICATION DRAINAGE OPERATION ♦ 1801 Pittsburgh Ave. ♦ Erie, PA 16514

Phone: 814455-0921 ♦ Fax: 814454-7929 ♦ World Wide Web: www.zurn.com

In Canada: ZURN INDUSTRIES LIMITED ♦ 3544 Nashua Drive ♦ Mississauga, Ontario L4V1L2 ♦ Phone: 905405-8272 Fax: 905405-1292