

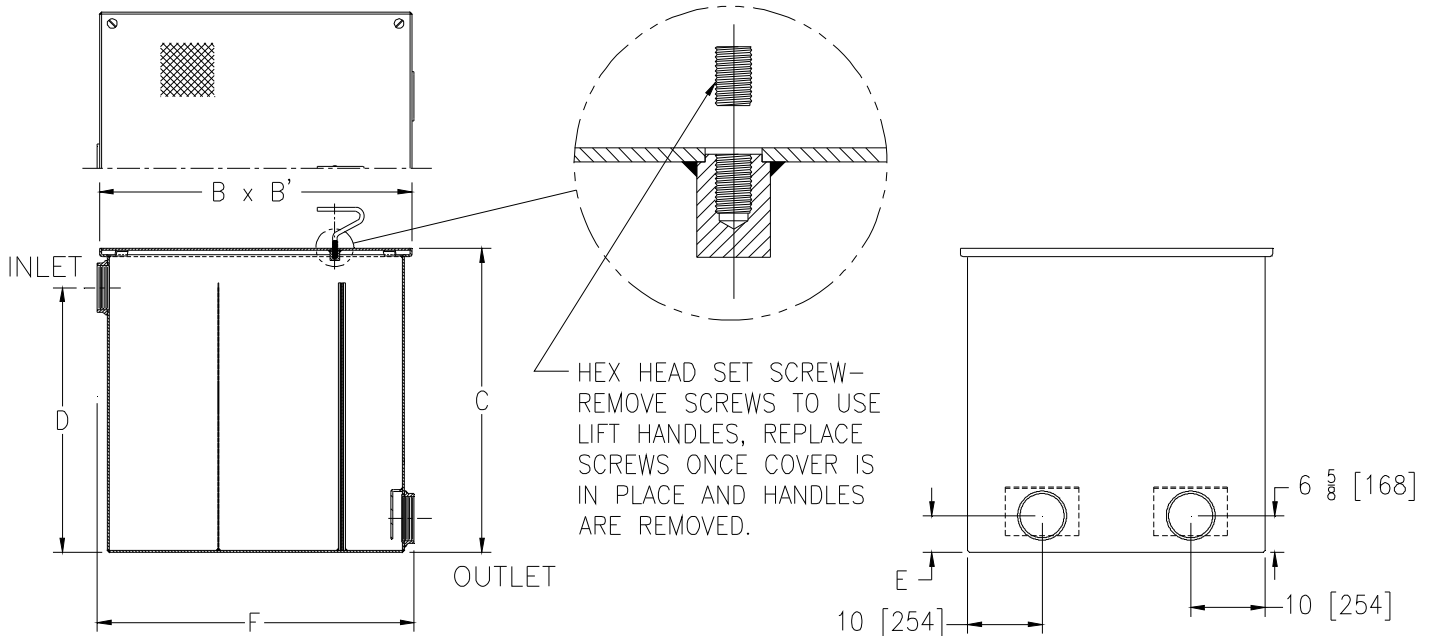


Z1185-142
SIZE 15 LINT INTERCEPTOR W/DUAL OUTLET

SPECIFICATION SHEET

TAG _____

Dimensional Data (inches and [mm]) are Subject to Manufacturing Tolerances and Change Without Notice



Size No. of Machines	Inlet/Outlet Size In [mm]	Flow Rate G.P.M. [L.P.M.]	Approx. Wt. Lbs. [kg]	Dimensions In Inches [mm]					
				B	B'	C	D	E	F
15	6 [152]	150 [416]	404 [183]	40 [1016]	40 [1016]	35 [889]	23 [584]	7 [178]	41 [1041]

ENGINEERING SPECIFICATION: ZURNZ1185-142

Acid Resistant Coated interior and exterior fabricated steel lint interceptor, non-skid secured cover with removable lift handle, aluminum lint intercepting secondary screen assembly, and permanent primary straining baffle with 3/8" [10mm] diameter perforated holes. Regularly furnished with high inlet and dual low outlets.

OPTIONS (Check/specify appropriate options)

PREFIXES

- ___ Z Acid Resistant Coated Fabricated Steel*
- ___ ZS All Type 304 Fabricated Stainless Steel

SUFFIXES

- ___ -E Acid Resistant Coated interior and exterior fabricated steel extension section (Specify 'C' dimension required for recessed installation).
- ___ -RS Aluminum Screen Replacement Assembly

* Regularly furnished unless otherwise specified.