



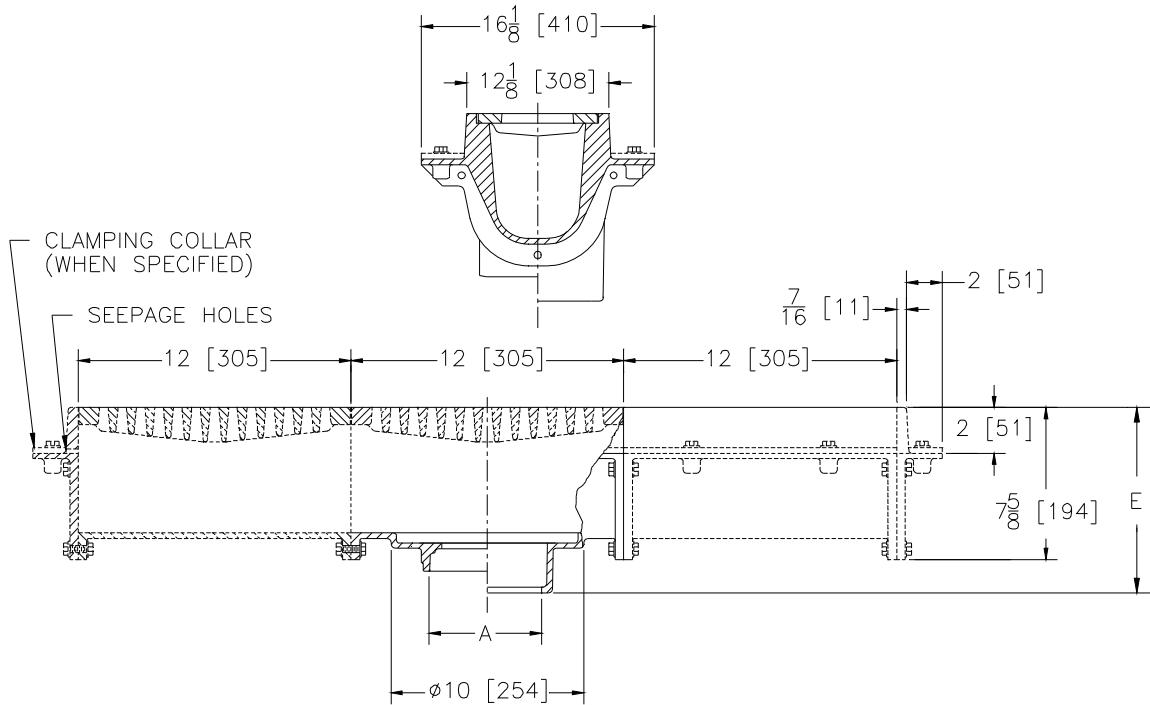
Z665-SB

12 [305] WIDE MODULAR TRENCH DRAIN HEAVY DUTY W/ SHALLOW BODY

SPECIFICATION SHEET

TAG _____

Dimensional Data (inches and [mm]) are Subject to Manufacturing Tolerances and Change Without Notice



A- Pipe Size Inches	Approx. Wt. Lbs.	Grate Open Area Sq. In.
2-3-4 [50-75-100]	100 [45]	36 [232]
5-6 [127-152]	110 [50]	

ENGINEERING SPECIFICATION Z665-SB

12 [305] Wide top modular trench drain, Dura-Coated cast iron shallow body with bottom outlet. Both 12 [305] long outlet module and 12 [305] extension module are complete with integral seepage pan and heavy duty loose slotted grate.

OPTIONS (Check/specify appropriate options)

PIPE SIZE

2 thru 6 [51 thru 152]
2 thru 4, 6 [51 thru 102, 152]
2 thru 4 [51 thru 102]

(Specify size/type) OUTLET

___ IC Inside Caulk
___ IG Inside Gasket
___ NL Neo-Loc

'E' BODY HT. DIM.

10-1/8 [257]
10-1/8 [257]
8-7/8 [225]

PREFIXES

___ Z D.C.C.I. Body and Top*
___ ZB D.C.C.I. Body w/Polished Bronze Top (Add 3/16 [5] to 'E', 7-5/8 [194], and 2 [51] Dim.)
___ ZN D.C.C.I. Body w/Polished Stainless Steel Top (Add 3/16 [5] to 'E', 7-5/8 [194], and 2 [51] Dim.)

SUFFIXES

___ -AR Acid Resisting Epoxy Coated Cast Iron (Per Section)
___ -C Clamp Collar (Per Section)
___ -DB Bottom Dome Strainer (Per Outlet Section)
___ -DG Duresist Grate (Per Section)
___ -ES 12 [305] Extension Section (Specify Number of Sections Required)
___ -G Galvanized Cast Iron (Per Section)
___ -HP Heel-Proof Grate (ZB and ZN Only) (Per Section)
___ -VP Vandal Proof Secured Top

REV. A DATE: 05/20/13 C.N. NO. 129388

PROD./DWG. NO. Z665-SB

*REGULARLY FURNISHED UNLESS OTHERWISE SPECIFIED

ZURN INDUSTRIES, LLC. ♦ SPECIFICATION DRAINAGE OPERATION ♦ 1801 Pittsburgh Ave. ♦ Erie, PA 16514

Phone: 814/455-0921 ♦ Fax: 814/454-7929 ♦ World Wide Web: www.zurn.com

In Canada: ZURN INDUSTRIES LIMITED ♦ 3544 Nashua Drive ♦ Mississauga, Ontario L4V1L2 ♦ Phone: 905/405-8272 Fax: 905/405-1292