



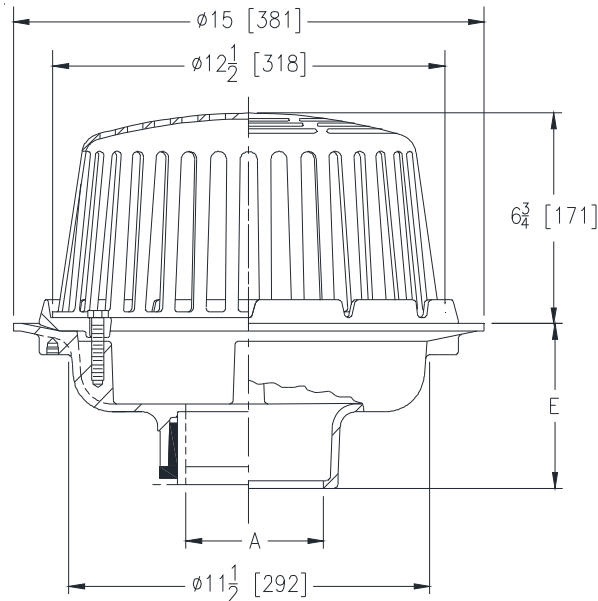
# Z100-348

## 15 [381] DIAMETER MAIN ROOF DRAIN WITH 6-3/4 [171] HIGH CAST IRON DOME

SPECIFICATION SHEET

TAG \_\_\_\_\_

Dimensional Data (inches and [ mm ]) are Subject to Manufacturing Tolerances and Change Without Notice



A Pipe Size In. [mm]	Approx. Wt. Lbs. [kg]	Dome Open Area In <sup>2</sup> [cm <sup>2</sup> ]
2,3,4 [51,76,102]	26 [12]	148 [955]
6 [152]	27 [12]	
8 [203]	28 [13]	

### ENGINEERING SPECIFICATION: ZURN Z100-HD

15" [381mm] Diameter roof drain. Dura-Coated cast iron body with combination membrane flashing clamp/gravel guard and 6-3/4" [171mm] high cast iron dome.

### OPTIONS (Check/specify appropriate options)

#### PIPE SIZE

- 3,4,6 [76,102,152]
- 2,3,4,6, 8 [51,76,102,152,203]
- 2,3,4,6, 8 [51,76,102,152,203]
- 2,3,4 [51,76,102]
- 6 [152]

#### (Specify size/type) OUTLET

- \_\_\_\_\_ IC Inside Caulk
- \_\_\_\_\_ IP Threaded
- \_\_\_\_\_ NH No-Hub
- \_\_\_\_\_ NL Neo-Loc
- \_\_\_\_\_ NL Neo-Loc

#### 'E' BODY HT. DIM.

- 5-1/4 [133]
- 3-3/4 [95]
- 5-1/4 [133]
- 4-5/8 [117]
- 5-7/16 [138]

#### PREFIXES

- \_\_\_ ZC D.C.C.I. Body with Cast Iron Dome\*

#### SUFFIXES

- |                                                                     |                                                                              |
|---------------------------------------------------------------------|------------------------------------------------------------------------------|
| ___ -AC Angular Underdeck Clamp                                     | ___ -R Roof Sump Receiver                                                    |
| ___ -AR Acid Resistant Epoxy Coated                                 | ___ -SC Secondary Clamping Collar                                            |
| ___ -C Underdeck Clamp                                              | ___ -SS Stainless Mesh Screen Over Dome                                      |
| ___ -DE Deck Extension (Includes Deck Plate -DP)                    | ___ -TC Neo-Loc Test Cap Gasket<br>(2,3,4 [51,76,102] NL Bottom Outlet Only) |
| ___ -DP Top-Set® Roof Deck Plate<br>(Replaces both -C and -R)       | ___ -W2 2 [51] Internal Water Dam                                            |
| ___ -DR Top-Set® Drain Riser                                        | ___ -W3 3 [76] Internal Water Dam                                            |
| ___ -E Static Extension 1 [25] thru 4 [102] (Specify Ht.)           | ___ -W4 4 [102] Internal Water Dam                                           |
| ___ -EA Adjustable Extension Assembly<br>2-1/8 [54] thru 3-1/2 [89] | ___ -84 Stainless Steel Perforated Gravel Guard                              |
| ___ -EB Top-Set Adjustable Extension Assembly                       | ___ -85 Stainless Steel Perforated Extension                                 |
| ___ -G Galvanized Cast Iron                                         | ___ -89 2 [51] High External Water Dam                                       |
|                                                                     | ___ -90 90° Threaded Side Outlet Body                                        |

\* Regularly furnished unless otherwise specified.