



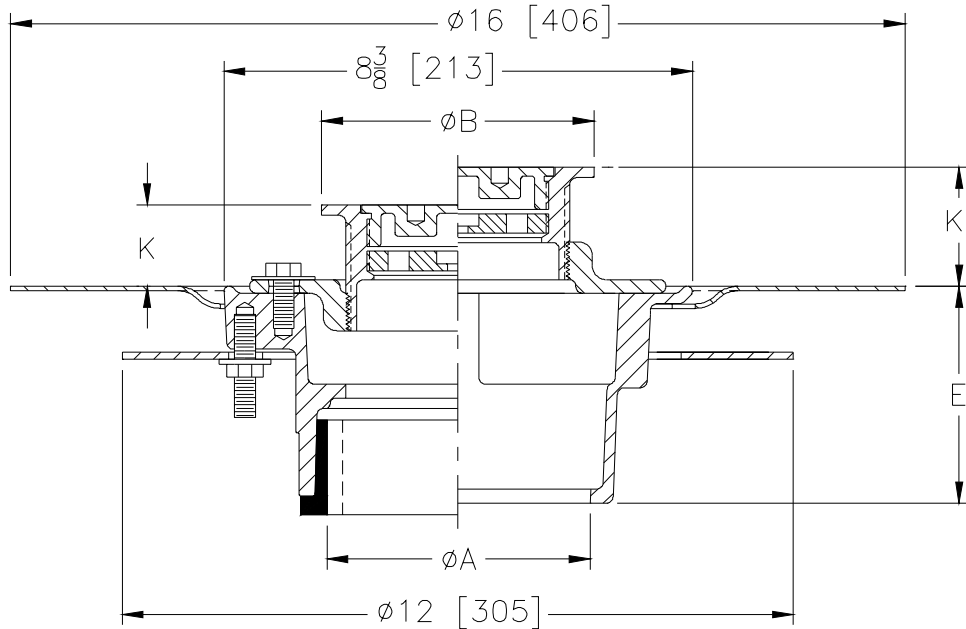
Z415T-75

BODY ASSEMBLY W/ "TYPE T" STRAINER, ROOF SUMP RECEIVER & UNDERDECK CLAMP

SPECIFICATION SHEET

TAG _____

Dimensional Data (inches and [mm]) are Subject to Manufacturing Tolerances and Change Without Notice



Dimensions In Inches					Approx. Wt. Lbs. [Kg.]	Strainer Open Area Sq. In. [Cm ²]
A - Pipe Size	B Strainer Dia.	K		K'		
		Min.	Max.	Min.	Max.	
2-3 [51-76]	5 [127]	7/8 [22]	2-1/8 [73]	1 7/8 [48]	3 [76]	12 [5]
2-3-4 [51-76-102]	6 [152]	7/8 [22]	2-1/8 [73]	1 7/8 [48]	3 [76]	12 [5]
2-3-4 [51-76-102]	7 [179]	7/8 [22]	2-1/8 [73]	1 7/8 [48]	3 [76]	14 [6]

ENGINEERING SPECIFICATION:
ZURN ZN415-75 Floor and shower drain, Dura-Coated cast iron body with bottom outlet, combination invertible membrane clamp, underdeck clamp, roof sump receiver and adjustable collar with "TYPE T" polished nickel bronze strainer.

OPTIONS (Check/specify appropriate options)

PIPE SIZE

- 2 thru 4 [51 thru 102]
- 2 [51]
- 3 [76]
- 4 [102]
- 2 thru 4 [51 thru 102]
- 2 thru 4 [51 thru 102]

(Specify type/size) **OUTLET**

- _____ **IC** Inside Caulk
- _____ **IP** Threaded
- _____ **IP** Threaded
- _____ **IP** Threaded
- _____ **NH** No-Hub
- _____ **NL** Neo-Loc

'E' BODY HT. DIMENSION

- 3 7/8 [98]
- 2 3/8 [60]
- 2 5/8 [67]
- 2 7/8 [73]
- 3 7/8 [98]
- 4 5/8 [117]

PREFIXES

- _____ **ZB** D.C.C.I. Body Assembly with Polished Bronze Top
- _____ **ZN** D.C.C.I. Body Assembly with Polished Nickel Bronze Top*

SUFFIXES

- _____ **-AR** Acid Resisting Epoxy Coated Cast Iron
- _____ **-G** Galvanized Cast Iron
- _____ **-SW** Spanner Wrench for Cover
- _____ **-U** 1 - 3 [25 - 76] High Extension Adapter
- _____ **-90** 90° Side Outlet Body (2 [51] , 3 [76] only)

REV. A	DATE: 03/11/04	C.N. NO. 92020
DWG. NO. P-13962	PRODUCT NO. Z415T-75	

*REGULARLY FURNISHED UNLESS OTHERWISE SPECIFIED