



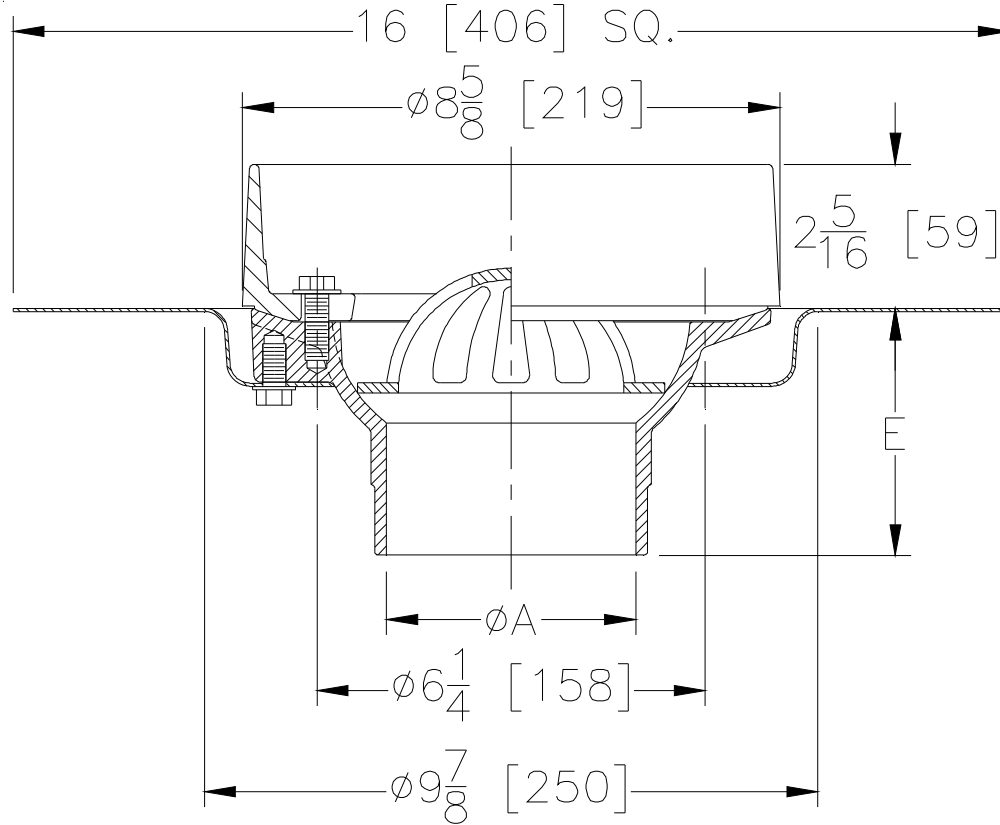
# Z127-DP

8-5/8 [219] DIAMETER DECK RECEPTOR DRAIN  
W/ TOP-SET® DECK PLATE

SPECIFICATION SHEET

TAG \_\_\_\_\_

Dimensional Data (inches and [ mm ]) are Subject to Manufacturing Tolerances and Change Without Notice



A Pipe Size in [mm]	Approx Wt. lbs [kg]
2,3,4 [51,76,102]	26 [12]

### ENGINEERING SPECIFICATION: ZURN Z127-DP

8-5/8" [219mm] Diameter deck receptor drain, Dura-Coated cast iron body with combination membrane flashing clamp/deck receptor frame, Top-Set® deck plate and internal dome strainer.

**OPTIONS** (Check/specify appropriate options)

#### PIPE SIZE

- 2,3,4 [51,76,102]
- 2 [51]
- 3 [76]
- 4 [102]
- 2,3,4 [51,76,102]
- 2,3,4 [51,76,102]

(Specify size/type) **OUTLET**

- \_\_\_\_\_ IC Inside Caulk
- \_\_\_\_\_ IP Threaded
- \_\_\_\_\_ IP Threaded
- \_\_\_\_\_ IP Threaded
- \_\_\_\_\_ NH No-Hub
- \_\_\_\_\_ NL Neo-Loc

**E BODY HT. DIM.**

- 3-7/8 [98]
- 2-7/16 [62]
- 2-3/4 [70]
- 3 [76]
- 3-31/32 [101]
- 3-27/32 [98]

#### PREFIXES

- \_\_\_\_\_ Z D.C.C.I. Body with Collar\*

#### SUFFIXES

- \_\_\_\_\_ -AR Acid Resistant Epoxy Coated
- \_\_\_\_\_ -E 2 [51] High Static Extension
- \_\_\_\_\_ -G Galvanized Cast Iron
- \_\_\_\_\_ -HD High Dome
- \_\_\_\_\_ -TC Neo-Loc Test Cap Gasket  
(2,3,4 [51,76,102] NL Bottom Outlet Only)

\* Regularly furnished unless otherwise specified.