



Z1240-EZR

Exposed Arm Carrier System for Sundara® Drift and Key Lavatory w/ Adjustable Uprights & Header Plates

SPECIFICATION SHEET

TAG _____

Product Description

Designed for modern commercial restrooms, the Sundara® system delivers a superior user experience in both form and function. Improves upon Zurns proven labor savings carrier design while adapting to the Sundara® Solid Surface Lavatory.

Carrier Features

- Engineered to reduce installation and rework time
- Pairs with Sundara® engineered solid surface sink
- 300 lbs [136 kg] load capacity
- Exposed Arm Carrier System
- Adjustable Header Plates
- OSHPOD Compliant foot design
- Rulers mounted to uprights for easily determining spacings
- Carrier Arms supplied with lavatory

Standards Compliance

- ASME A112.6.1M

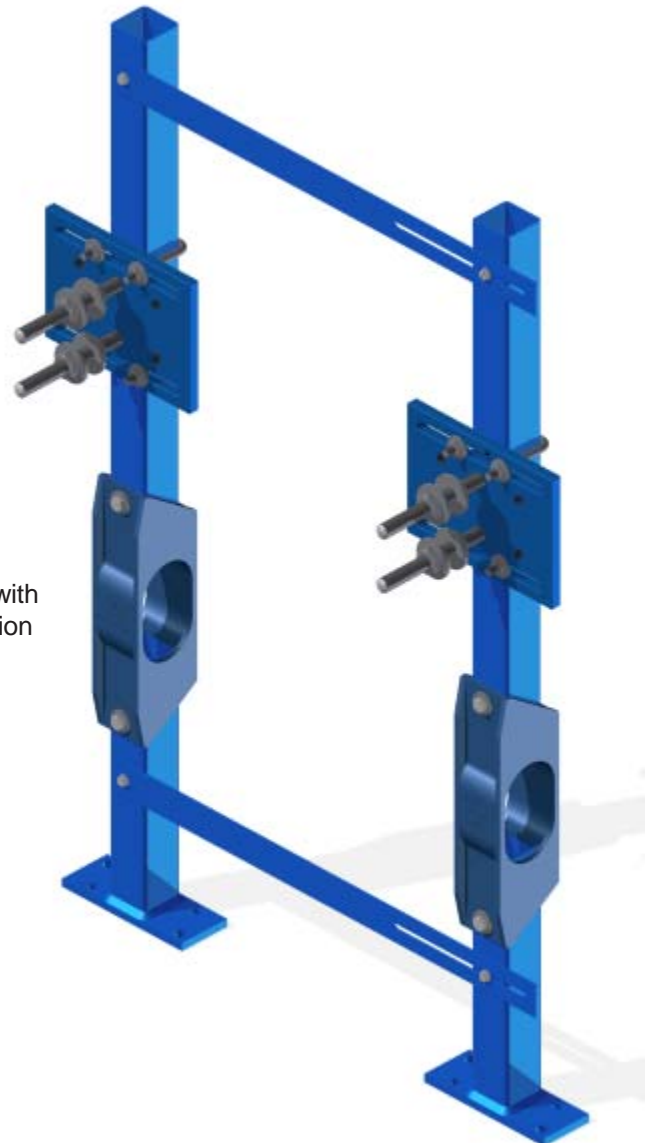
Materials

- ASTM A500 Grade C Steel Uprights
- ASTM A48 Class 25 Header
- Steel Hardware
- ASTM A36 Steel Plates

Options

- CU Floor-to-Ceiling Upright (Specify Height Required)
- SL Stud Length over 6 [152]
- WL Waste Line Sleeve
- WS Wall Support Valve Plate (Specify Valve Name and Number Tag)

Shown with
-WL option



Dimensional Data (inches and [mm]) are Subject to Manufacturing Tolerances and Change Without Notice

* Regularly furnished unless otherwise specified.

Zurn Industries, LLC | Specification Drainage Operation
1801 Pittsburgh Avenue, Erie, PA U.S.A. 16502 · Ph. 855-663-9876, Fax 814-454-7929
In Canada | Zurn Industries Limited
3544 Nashua Drive, Mississauga, Ontario L4V 1L2 · Ph. 905-405-8272, Fax 905-405-1292
www.zurn.com

Rev. -
Date: 04/03/2017
C.N. No. 136539
Prod. | Dwg. No. Z1240-EZR

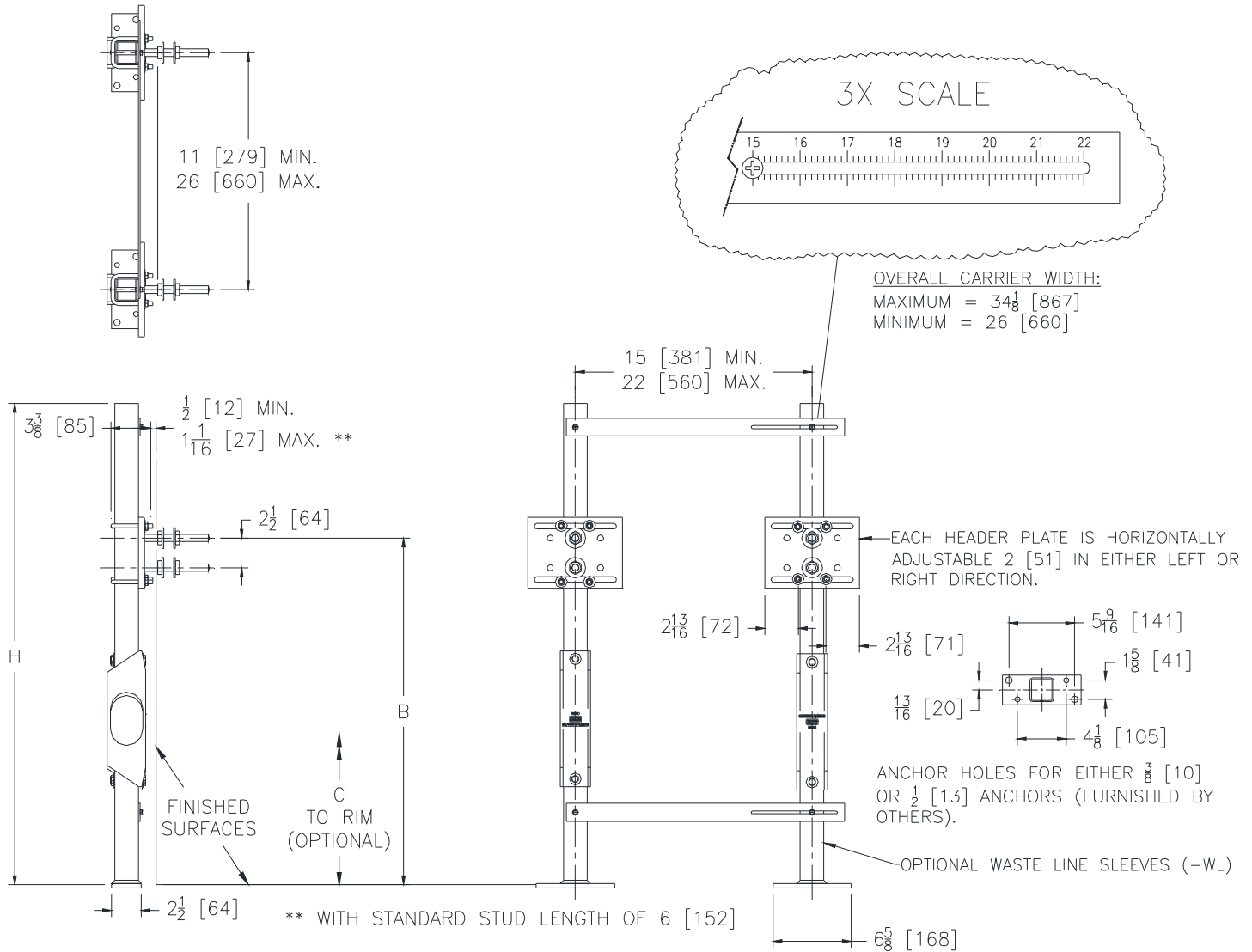


Z1240-EZR

Exposed Arm Carrier System for Sundara® Drift and Key Lavatory w/ Adjustable Uprights & Header Plates

SPECIFICATION SHEET

TAG _____



Engineering Specification: ZURN Z1240-EZR

Wall Hung Lavatory Support System complete with Dura-Coated upright supports made from structural carbon-steel square tubing, conforming to ASTM A500 Grade C standards, with welded steel plate mounting feet featuring separate bolt patterns for using either 3/8" [10mm] or 1/2" [13mm] anchors, both meeting OSHPD spacing requirements. Includes lower and upper EZ-installation plates marked with an indexed ruler guide for accurate adjustability of upright spacing, from 15" [381mm] to 22" [560mm]. Individual slotted header plates provide 2" [51mm] of additional horizontal adjustment per plate allowing for a total horizontal adjustment range of 11" [279mm] to 26" [660mm]. Uprights, EZ-installation plates, and header plates are all factory assembled for easy installation. Carrier system exceeds load and deflection requirements when tested in accordance to ASME Standard A112.6.1M to any adjustment position.

Dimensional Data (inches and [mm]) are Subject to Manufacturing Tolerances and Change Without Notice

* Regularly furnished unless otherwise specified.

Zurn Industries, LLC | Specification Drainage Operation
1801 Pittsburgh Avenue, Erie, PA U.S.A. 16502 · Ph. 855-663-9876, Fax 814-454-7929
In Canada | Zurn Industries Limited
3544 Nashua Drive, Mississauga, Ontario L4V 1L2 · Ph. 905-405-8272, Fax 905-405-1292
www.zurn.com

Rev. -
Date: 04/03/2017
C.N. No. 136539
Prod. | Dwg. No. Z1240-EZR