

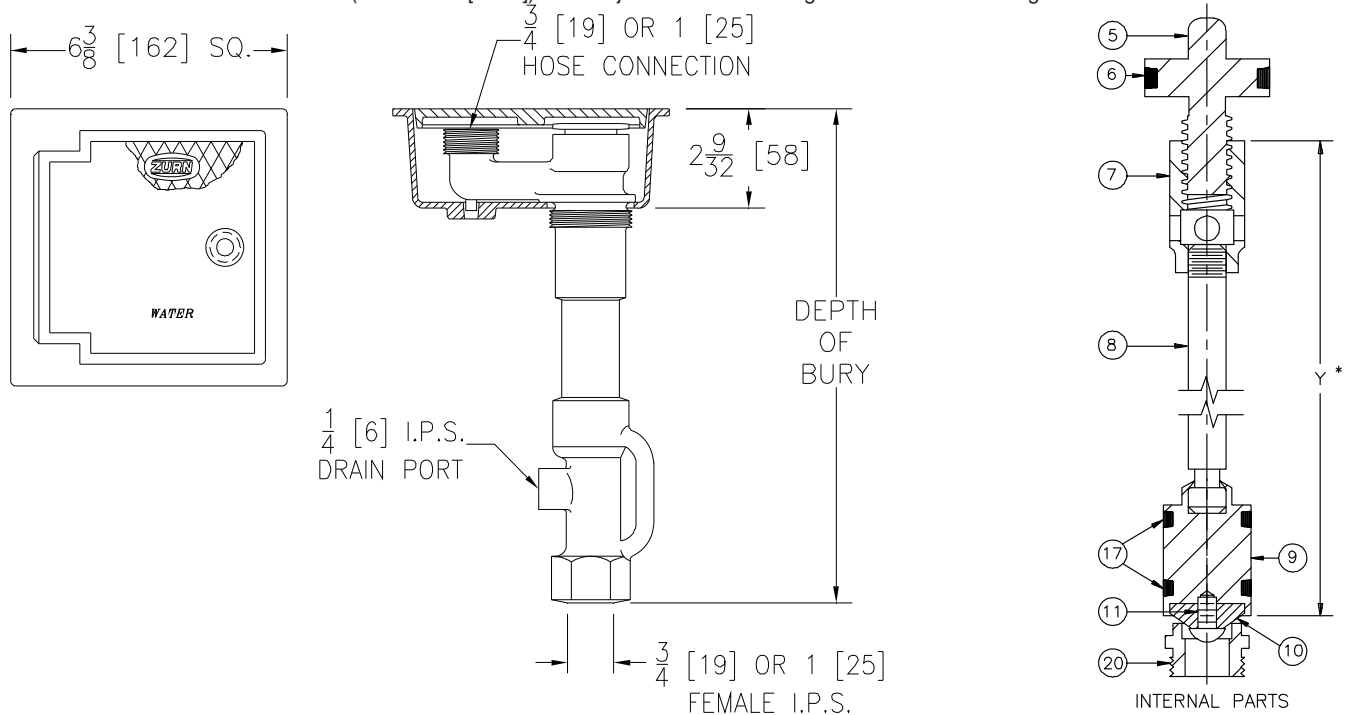


Z1360-85
CUSTOM LENGTH GROUND HYDRANT
 Encased, Flush Type, Non-Freeze

SPECIFICATION SHEET

TAG _____

Dimensional Data (inches and [mm]) are Subject to Manufacturing Tolerances and Change Without Notice



Depth of Bury	Approx. Wt. Lbs. [kg]
1' [305mm]	13 [6]
1'-6" [914mm]	15 [7]

ENGINEERING SPECIFICATION: ZURN Z1360-85

Encased, non-freeze ground hydrant, for flush with grade or finished (non-traffic) floor installation. Complete with galvanized steel casing, all bronze interior parts, bronze seat and replaceable seat washer, non-turning operating rod with free-floating compression closure valve with 3/4" [19mm] or 1" [25mm] connection. Plain bronze box and hinged scoriated cover with operating key lock and "WATER" cast on cover. Hydrant is equipped with a tapped 1/4" [6mm] drain port in valve housing.

Note:

- IMPORTANT** Hydrant must be opened one turn minimum to seal drain port during use.

CONNECTION TYPE:

- _____ 3/4" [19mm] Hose Connection
- _____ 1" [25mm] Hose Connection

OPTIONS (Check/specify appropriate options)

SUFFIXES

- ___ -BC Bronze Casing
- ___ -CI D.C.C.I. Box and Cover
- ___ -DP12 1/2" [13mm] IP Drain Port in Box
- ___ -DP14 1/4" [6mm] IP Drain Port in Box
- ___ -DP38 3/8" [10mm] IP Drain Port in Box
- ___ -HD Heavy Duty Cover (-CI and -NB only)
- ___ -K Flashing Flange only
- ___ -KC Flashing Flange with Clamp Collar
- ___ -NB Polished Nickel Bronze Face
- ___ -PB Polished Bronze Face
- ___ -RK Hydrant Parts Repair Kit
- ___ -VB 3/4" [19mm] Adapter Vacuum Breaker (Requires deeper box to accommodate vacuum breaker)

PARTS LIST

Item	Name	Quan.
5	Operating Screw	1
6	O-Ring	1
7	Operating Coupling	1
8	Operating Rod	1
9	Washer Guide	1
10	Washer (neoprene)	1
11	Screw	1
17	O-Ring	2
20	Removable Seat	1

* Regularly furnished unless otherwise specified.