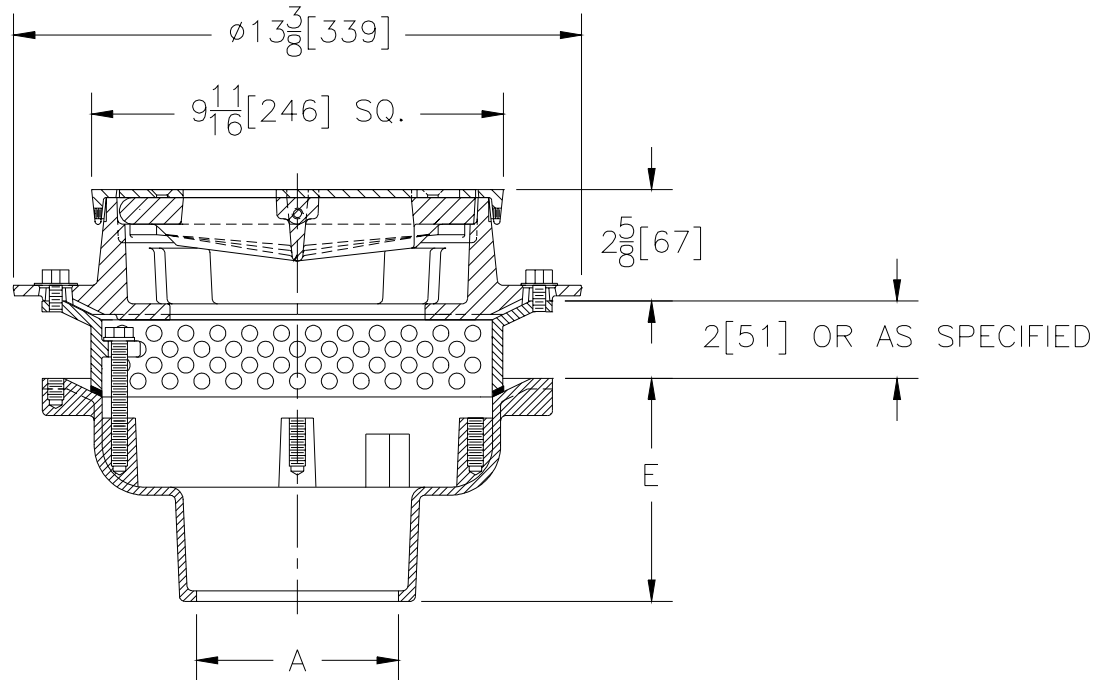




ZN-609-76
9" [229] SQUARE HEAVY DUTY DRAIN

TAG _____

Dimensional Data (inches and [mm]) are Subject to Manufacturing Tolerances and Change Without Notice



A- Pipe Size In.	Approx. Wt. Lbs. [kg]	Grate Open Area Sq. In. [cm ²]
2-3-4 [50-75-100]	30 [14]	14 [90]

ENGINEERING SPECIFICATION: ZURN ZN-609-76 9 11/16 [246] Square Top Drain, Dura-Coated cast iron body with bottom outlet, extension with 3/8 dia. holes, seepage pan and combination membrane flashing clamp and frame for heavy duty cast iron anti-tilt slotted grate and nickel bronze top.

OPTIONS (Check/specify appropriate options)

PIPE SIZE

(Specify size/type) **OUTLET**

'E' BODY HT. DIM.

2 thru 4 [50 thru 100]	___ IC	Inside Caulk	3 3/4 [95]
2 thru 4 [50 thru 100]	___ IG	Inside Caulk w/Sealtrol Gskt.	3 3/4 [95]
2 thru 4 [50 thru 100]	___ IP	Threaded	2 3/4 [70]
2 thru 4 [50 thru 100]	___ NH	No-Hub	4 3/4 [121]
2 thru 4 [50 thru 100]	___ NL	Neo-Loc	3 1/2 [89]

PREFIXES

- ___ Z- D.C.C.I. Body and Grate
- ___ ZB- D.C.C.I Body w/Polished Bronze Top
- ___ ZN- D.C.C.I Body w/Polished Nickel Bronze Top *

SUFFIXES

- | | | | |
|---------|------------------------------------|---------|---------------------------------------|
| ___ -AR | Acid Resistant Epoxy Coated Finish | ___ -SS | Stainless Steel Mesh Liner for Bucket |
| ___ -DG | Duresist Grate | ___ -V | Backwater Valve (See Z-1099) |
| ___ -G | Galvanized Cast Iron | ___ -VP | Vandal Proof Secured Top |
| ___ -GG | Galvanized Grate | ___ -Y | Sediment Bucket |
| ___ -H | Hinged Grate | ___ -90 | 90° Threaded Side Outlet Body |
| ___ -HL | Hinged Locking Grate | | |
| ___ -P | Trap Primer Connection | | |
| ___ -S | Secondary Strainer | | |

REV.	DATE: 07/19/96	C.N. NO. 75367
DWG. NO. P-14354 PRODUCT NO. ZN-609-76		

*REGULARLY FURNISHED UNLESS OTHERWISE SPECIFIED