



# Z415-S-SR-Y

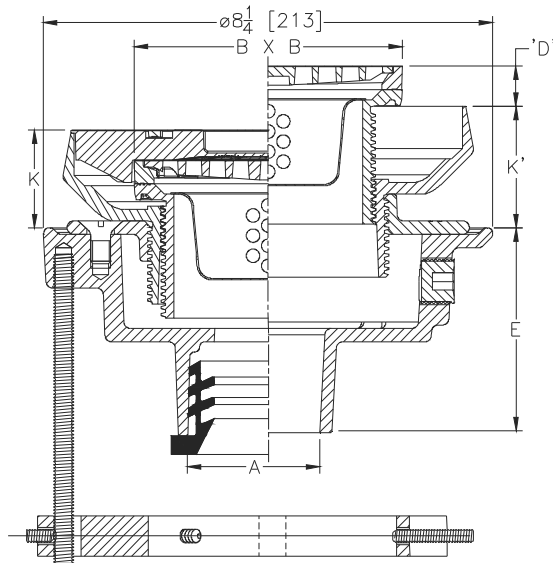
BODY ASSEMBLY W/ "TYPE S" STRAINER  
and EZ1™ TECHNOLOGY WITH SEDIMENT BUCKET  
AND STABILIZER RING

SPECIFICATION SHEET

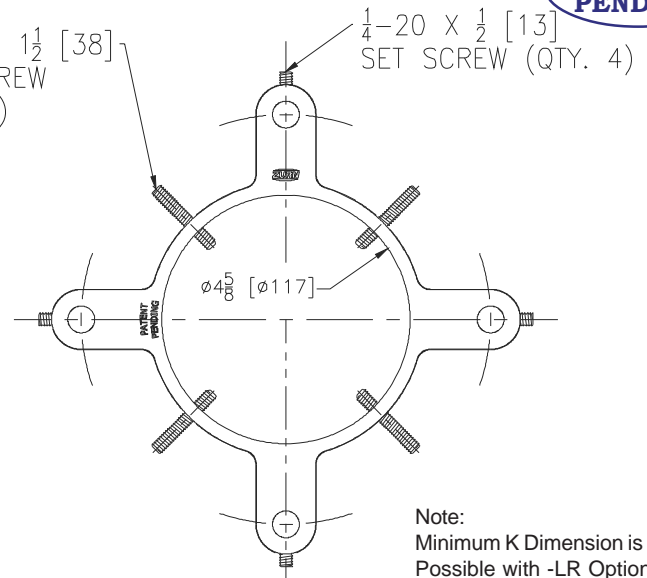
TAG \_\_\_\_\_

Dimensional Data (inches and [ mm ]) are Subject to Manufacturing Tolerances and Change Without Notice

**PATENT  
PENDING**



1/4-20 X 1 1/2 [38]  
SET SCREW  
(QTY. 4)



Note:  
Minimum K Dimension is Only  
Possible with -LR Option

Dimensions In Inches [mm]								Approx. Wt. Lbs. [kg]	Strainer Open Area Sq. In [cm <sup>2</sup> ]
A Pipe Size	B X B Strainer Top Size	D		K		K'			
		Min.	Max.	Min.	Max.	Min.	Max.		
2,3 [51,76]	5 X 5 [127 X 127]	0	1-1/4 [32]	1-25/32 [45]	2-7/8 [73]	2-9/32 [58]	3-11/32 [85]	19 [9]	9 [58]
2,3,4 [51,76,102]	6 X 6 [152 X 152]	0	1-1/4 [32]	1-27/32 [47]	2-29/32 [74]	2-11/32 [60]	3-1/2 [89]	22 [10]	13 [84]
3,4 [76,102]	8 X 8 [203 X 203]	0	1-3/16 [30]	2-1/4 [57]	3-11/32 [85]	2-3/4 [70]	3-13/16 [97]	27 [12]	27 [174]
6 [152]	8 X 8 [203 X 203]	0	1-3/16 [30]	2-1/4 [57]	3-11/32 [85]	2-3/4 [70]	3-13/16 [97]	28 [13]	27 [174]

### ENGINEERING SPECIFICATION:

Zurn Z415-S floor and shower drain, Dura-coated cast iron body with bottom outlet, combination invertible membrane clamp and adjustable collar with seepage slots and top assembly. EZ1™ drainage series is engineered to simplify product installation, comprised of concrete shield, up to 1-1/4" [32] of vertical post pour adjustment, pre-packaged shims for tilt correction and integrated self-contained "Type S" nickel bronze light duty strainer with rough-in cover for protection during concrete pour. Complete with Dura-Coated cast iron floor drain stabilizer ring with four 1/4-20 x 1/2" [13mm] securing screws to 3/8-16 x 7" [178mm] threaded rods and four 1/4-20 x 1-1/2" [38mm] securing screws to outlet piping.

**OPTIONS** (Check/specify appropriate options)

### PIPE SIZE

2,3,4 [51,76,102]  
2,3,4 [51,76,102]  
2 [51]  
3 [76]  
4 [102]  
6 [152]  
2,3,4 [51,76,102]  
2,3,4 [51,76,102]

### (Specify size/type) OUTLET

\_\_\_\_\_ IC Inside Caulk  
\_\_\_\_\_ IG Inside Gasket  
\_\_\_\_\_ IP Threaded  
\_\_\_\_\_ IP Threaded  
\_\_\_\_\_ IP Threaded  
\_\_\_\_\_ IP Threaded  
\_\_\_\_\_ NH No-Hub  
\_\_\_\_\_ NL Neo-Loc

### 'E' BODY HT. DIM.

4-13/16 [122]  
4-13/16 [122]  
2-7/16 [62]  
2-3/4 [70]  
2-13/16 [71]  
2-7/8 [73]  
3-13/16 [97]  
3-7/8 [98]

### PREFIXES

\_\_\_\_\_ ZB D.C.C.I. Body Assembly w/ Polished Bronze Top  
\_\_\_\_\_ ZN D.C.C.I. Body Assembly w/ Polished Nickel Bronze Top\*  
\_\_\_\_\_ ZS D.C.C.I. Body Assembly w/ Polished Stainless Steel Top

### SUFFIXES

\_\_\_\_\_ -AR Acid Resisting Epoxy Coated Cast Iron  
\_\_\_\_\_ -EF 3/4 [19] Extension Frame  
\_\_\_\_\_ -G Galvanized Cast Iron  
\_\_\_\_\_ -LR Low Rough-In  
\_\_\_\_\_ -P Trap Primer Connection (Specify 1/2 \* [13] or 3/4 [19])  
\_\_\_\_\_ -TC Neo-Loc Test Cap Gasket (2-3-4 [51-76-102] NL Outlet Only)  
\_\_\_\_\_ -TSP Trap Seal Protection Device  
(Size Matches Drain Outlet Selected) (See Z1072)  
\_\_\_\_\_ -U 2 - 3-1/4 [51-83] High Extension Adapter  
\_\_\_\_\_ -VP Vandal-Proof Secured Top

\* Regularly furnished unless otherwise specified.