



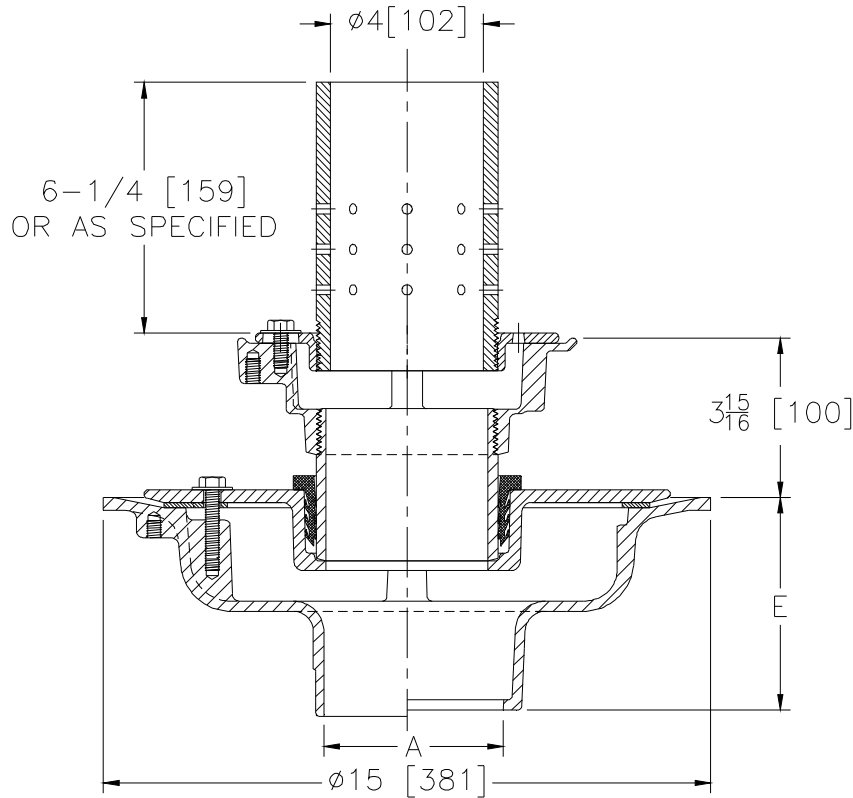
Z625-107

ISOLATION DECK ADJUSTABLE DRAIN WITH STANDPIPE

SPECIFICATION SHEET

TAG _____

Dimensional Data (inches and [mm]) are Subject to Manufacturing Tolerances and Change Without Notice



A Pipe Size in In. [mm]	Approx. Wt. Lbs. [kg]
2, 3, 4 [51, 76, 102]	42 [19]
5, 6 [127, 152]	

ENGINEERING SPECIFICATION: ZURN Z625-107

Adjustable isolation deck drain, Dura-Coated cast iron upper and lower bodies, upper and lower clamp collars, neoprene flex gasket, isolation nipple and adjustable 4" [102mm] perforated PVC standpipe.

OPTIONS (Check/specify appropriate options)

PIPE SIZE

- 2, 3, 4, 5, 6 [51, 76, 102, 127, 152]
- 2, 3, 4, 6 [51, 76, 102, 152]
- 2, 3, 4, 5, 6 [51, 76, 102, 127, 152]
- 2, 3, 4, 5, 6 [51, 76, 102, 127, 152]
- 2, 3, 4 [51, 76, 102]

(Specify size/type) OUTLET

- ___ IC Inside Caulk
- ___ IG Inside Gasket
- ___ IP Threaded
- ___ NH No-Hub
- ___ NL Neo-Loc

'E' BODY HT. DIM.

- 5-1/4 [133]
- 5-1/4 [133]
- 3-3/4 [95]
- 5-1/4 [133]
- 4-5/8 [117]

PREFIXES

- ___ Z D.C.C.I Bodies & Clamp Collars

SUFFIXES

- ___ -C Underdeck Clamp (Lower Body)
- ___ -G Galvanized Cast Iron
- ___ -R Sump Receiver (Lower Body)
- ___ -VP Vandal-Proof Secured Top

* Regularly furnished unless otherwise specified.