



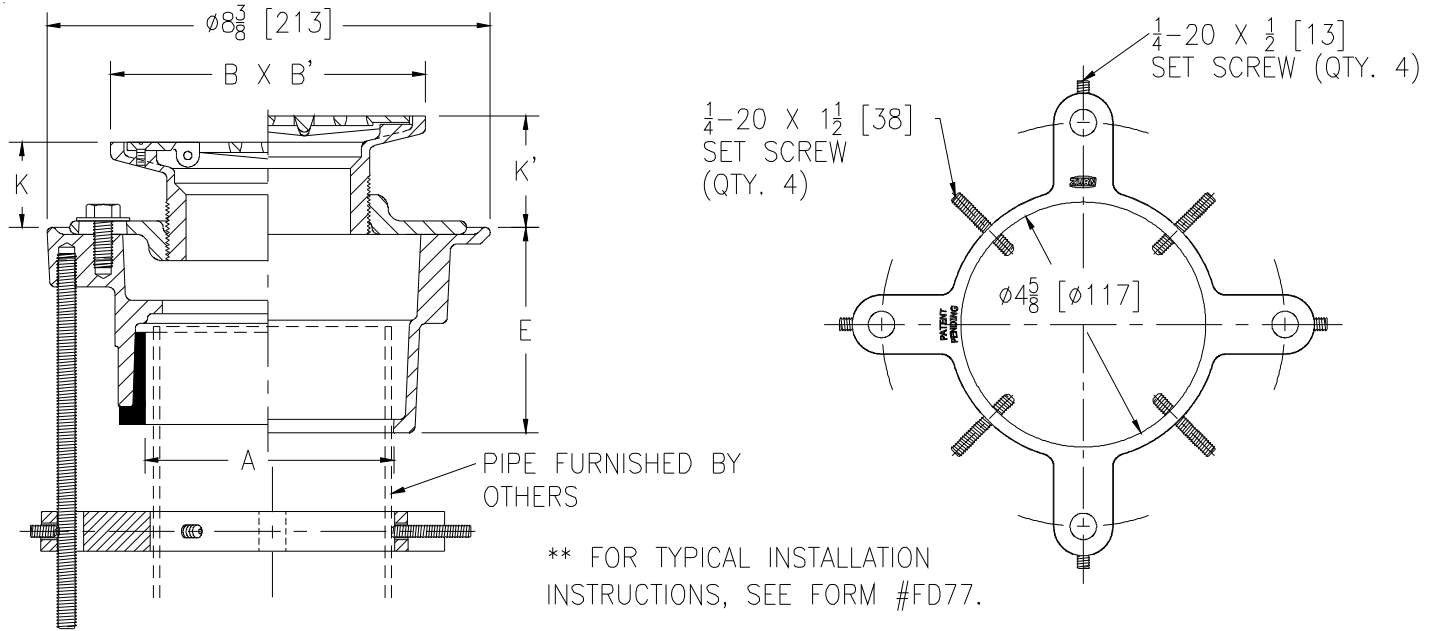
Z415SH-SR

BODY ASSEMBLY W/ "TYPE SH" STRAINER AND STABILIZER RING

SPECIFICATION SHEET

TAG _____

Dimensional Data (inches and [mm]) are Subject to Manufacturing Tolerances and Change Without Notice



Strainer Desig.	A-Pipe Size	B x B' Strainer Top Size	Dimensions in In [mm]				Approx. Wt. Lbs. [kg.]	Strainer Open Area Sq. In. [cm ²]
			K		K'			
			Min.	Max.	Min.	Max.		
-6SH	2,3,4 [51,76,102]	6 x 6 [152 x 152]	1 [25]	1-7/8 [48]	1-3/4 [44]	2-5/8 [67]	15 [7]	12 [72]
-8SH	2,3,4 [51,76,102]	8 x 8 [203 x 203]	1-5/32 [29]	2 [51]	2 [51]	2-3/4 [95]	19 [9]	21 [135]

ENGINEERING SPECIFICATION: ZURNZN415SH-SR

Floor and shower drain, Dura-Coated cast iron body with bottom outlet, combination invertible membrane clamp and adjustable collar with seepage slots and "TYPE SH" polished nickel bronze, square, light-duty hinged strainer. Complete with Dura-Coated cast iron floor drain stabilizer ring with four 1/4-20 x 1/2" [13mm] securing screws to 3/8-16 x 7" [178mm] threaded rods and four 1/4-20 x 1-1/2" [38mm] securing screws to outlet piping.

OPTIONS (Check/specify appropriate options)

PIPE SIZE	(Specify size/type) OUTLET	'E' BODY HT. DIM.
2 [51]	____ IP Threaded	2-7/16 [62]
3 [76]	____ IP Threaded	2-3/4 [70]
4 [102]	____ IP Threaded	2-13/16 [71]
2,3,4 [51,76,102]	____ NH No-Hub	3-13/16 [97]
2,3,4 [51,76,102]	____ NL Neo-Loc	3-7/8 [98]

PREFIXES

- ____ ZB D.C.C.I. Body Assembly w/ Polished Bronze Top
- ____ ZN D.C.C.I. Body Assembly w/ Polished Nickel Bronze Top*

SUFFIXES

- ____ -AR Acid Resisting Epoxy Coated Cast Iron
- ____ -G Galvanized Cast Iron
- ____ -P Trap Primer Connection (Specify 1/2 [13] or 3/4 [19])
- ____ -TC Neo-Loc Test Cap Gasket (2,3,4 [51,76,102] NL Outlet Only)
- ____ -U 1-3 [25-76] High Extension Adapter
- ____ -V Backwater Valve
- ____ -VP Vandal-Proof
- ____ -Y Sediment Bucket

* Regularly furnished unless otherwise specified.