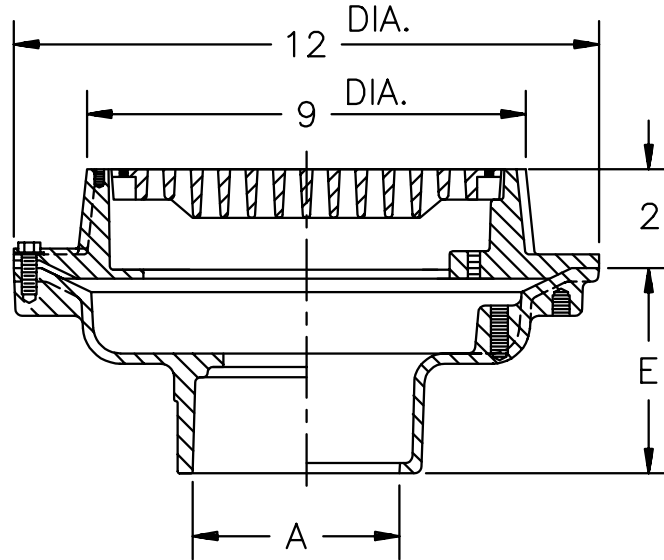




# Z-550-91 9" DIAMETER MEDIUM DUTY DRAIN

TAG \_\_\_\_\_

Dimensional Data (inches and [ mm ]) are Subject to Manufacturing Tolerances and Change Without Notice



A- Pipe Size In.	Approx. Wt. Lbs.	Grate Open Area Sq. In.
2-3-4	16	27

**ENGINEERING SPECIFICATION:** ZURN Z-550 9" Diameter top drain, Dura-Coated cast iron body with bottom outlet, seepage pan and medium duty cast iron anti-tilt slotted grate and combination membrane flashing clamp and frame.

**OPTIONS** (Check/specify appropriate options)

**OUTLET** (Specify type)

- \_\_\_\_\_ **IC** Inside Caulk
- \_\_\_\_\_ **IG** Inside Caulk w/Sealtrol Gskt.
- \_\_\_\_\_ **IP** Threaded
- \_\_\_\_\_ **NH** No-Hub
- \_\_\_\_\_ **NL** Neo-Loc

**PIPE SIZE** (Specify size)

- \_\_\_\_\_ 2,3,4
- \_\_\_\_\_ 2,3,4
- \_\_\_\_\_ 2,3,4
- \_\_\_\_\_ 2,3,4
- \_\_\_\_\_ 2,3,4

**'E' BODY HT. DIMENSION**

- 3 3/4
- 3 3/4
- 2 3/4
- 4 3/4
- 3 1/2

**PREFIXES**

- \_\_\_\_\_ **Z-** D.C.C.I. Body and Grate\*
- \_\_\_\_\_ **ZB-** D.C.C.I. Body with Polished Bronze Grate (Add 3/16 to 2 Dim.)
- \_\_\_\_\_ **ZN-** D.C.C.I. Body with Polished Nickel Bronze Grate (Add 3/16 to 2 Dim.)

**SUFFIXES**

- |   |   |
|---|---|
| <ul style="list-style-type: none"> <li>_____ <b>-AR</b> Acid Resisting Epoxy Coated Interior</li> <li>_____ <b>-D</b> Dome Grate</li> <li>_____ <b>-DF</b> Deflector Grate</li> <li>_____ <b>-DG</b> Duresist Grate</li> <li>_____ <b>-G</b> Galvanized Cast Iron</li> <li>_____ <b>-GG</b> Galvanized Grate</li> <li>_____ <b>-P</b> Trap Primer Connection</li> <li>_____ <b>-S</b> Secondary Strainer</li> <li>_____ <b>-SS</b> Stainless Mesh Liner for Bucket</li> <li>_____ <b>-T</b> Square Top</li> </ul> | <ul style="list-style-type: none"> <li>_____ <b>-TG</b> Tractor Grate</li> <li>_____ <b>-V</b> Backwater Valve (See Z-1099)</li> <li>_____ <b>-VP</b> Vandal Proof Secured Top</li> <li>_____ <b>-Y</b> Sediment Bucket</li> <li>_____ <b>-90</b> 90° Threaded Side Outlet Body (2 thru 4)</li> </ul> |
|---|---|

**REV.**      **DATE:** 4/20/95      **C.N. NO.** 71644

\*REGULARLY FURNISHED UNLESS OTHERWISE SPECIFIED

**DWG. NO.** P-14165      **PRODUCT NO.** Z-550-91

ZURN INDUSTRIES, INC. ♦ SPECIFICATION DRAINAGE OPERATION ♦ 1801 Pittsburgh Ave. ♦ Erie, PA 16514

Phone: 814/455-0921 ♦ Fax: 814/454-7929 ♦ World Wide Web: www.zurn.com

In Canada: ZURN INDUSTRIES LIMITED ♦ 3544 Nashua Drive ♦ Mississauga, Ontario L4V1L2 ♦ Phone: 905/405-8272 Fax: 905/405-1292