

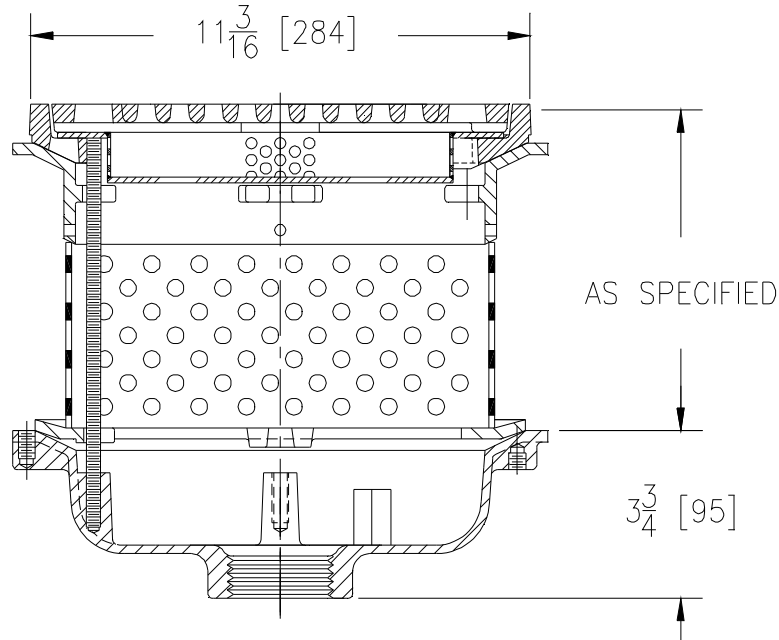


**Z-121-100**  
**12 [305] DIAMETER ROOF DRAIN**

SPECIFICATION SHEET

TAG \_\_\_\_\_

Dimensional Data (inches and [ mm ]) are Subject to Manufacturing Tolerances and Change Without Notice



A- Pipe Size In.	Approx. Wt. Lbs. [kg]	Dome Open Area Sq. In. [cm <sup>2</sup> ]
2-3-4-5-6 [50-75-100-125-150]	22 [10]	78 [503]

**ENGINEERING SPECIFICATION:** ZURN Z-121-100 12 [305] Diameter roof drain. Dura-Coated cast iron body, secondary clamp, static extension, combination membrane flashing clamp/gravel guard, grate, perforated stainless steel extension and bucket.

**OPTIONS** (Check/specify appropriate options)

**PIPE SIZE**

2,3,4,6 [50,75,100,150]

(Specify size/type) **OUTLET**

\_\_\_\_\_ IP Threaded

**E BODY HT. DIM.**

3 3/4 [95]

**PREFIXES**

\_\_\_ Z- D.C.C.I. Body and Top\*

**SUFFIXES**

- \_\_\_ -AR Acid Resistant Epoxy Coated Finish
- \_\_\_ -C Underdeck Clamp
- \_\_\_ -G Galvanized Cast Iron
- \_\_\_ -R Roof Sump Receiver
- \_\_\_ -SS Stainless Steel Mesh Screen Over Dome
- \_\_\_ -VP Vandal Proof Secured Top
- \_\_\_ -XJ Vertical Expansion Joint (See Z-190)
- \_\_\_ -90 90° Threaded Side Outlet Body

\*REGULARLY FURNISHED UNLESS OTHERWISE SPECIFIED

REV.	DATE: 8/14/01	C.N. NO. 87778
DWG. NO. P-14843 PRODUCT NO. Z-121-100		