

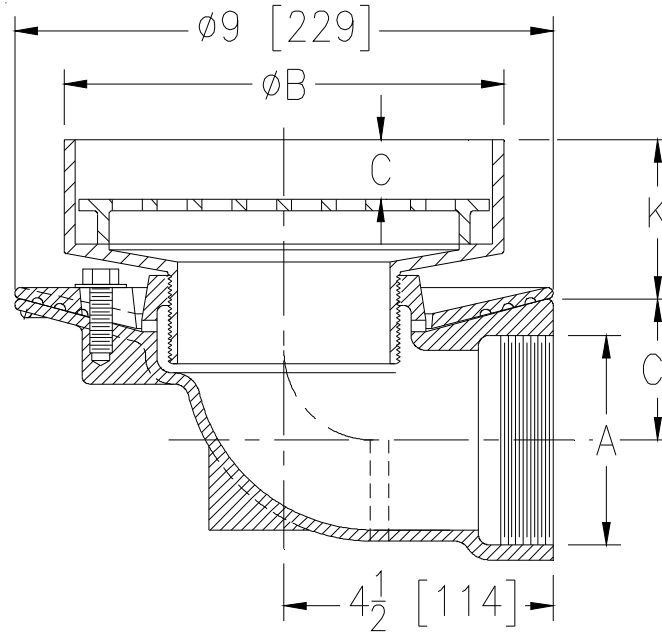


**Z415I-90**  
 BODY ASSEMBLY W/  
 SIDE OUTLET & "TYPE I" STRAINER

SPECIFICATION SHEET

TAG \_\_\_\_\_

Dimensional Data (inches and [ mm ]) are Subject to Manufacturing Tolerances and Change Without Notice



Dimensions In Inches						Approx. Wt. Lbs. [kg]	Strainer Open Area Sq. In. [cm <sup>2</sup> ]
A Pipe Size	B Strainer Dia.	C	C'	K			
				Min.	Max.		
2 [51]	5 [127]	7/8 [22]	2-29/32 [74]	1-15/16 [49]	3-1/8 [79]	13 [6]	6-1/4 [40]
3 [76]	5 [127]	7/8 [22]	2-11/32 [60]	1-15/16 [49]	3-1/8 [79]	13 [6]	6-1/4 [40]
2 [51]	7 [178]	1 [25]	2-29/32 [74]	2-11/16 [68]	3-7/8 [98]	19 [7]	11-1/4 [73]
3 [76]	7 [178]	1 [25]	2-11/32 [60]	2-11/16 [68]	3-7/8 [98]	19 [7]	11-1/4 [83]
3 [76]	9 [229]	1/2 [13]	2-11/32 [60]	2-7/16 [62]	3-5/8 [92]	20 [9]	23 [148]

**ENGINEERING SPECIFICATION: ZURN ZN415I-90**

Floor and shower drain, Dura-Coated cast iron body with side outlet, clamping collar and adjustable "TYPE I" polished nickel bronze strainer with raised flange.

**OPTIONS** (Check/specify appropriate options)

**PIPE SIZE**

2 [51]  
 3 [76]

(Specify size) **OUTLET**

\_\_\_ IP Threaded  
 \_\_\_ IP Threaded

**PREFIXES**

\_\_\_ ZB D.C.C.I. Body Assembly w/ Polished Bronze Top  
 \_\_\_ ZN D.C.C.I. Body Assembly w/ Polished Nickel Bronze Top\*

**SUFFIXES**

\_\_\_ -AR Acid Resisting Epoxy Coated Cast Iron  
 \_\_\_ -G Galvanized Cast Iron  
 \_\_\_ -TS Top Secured with Slotted Screws  
 \_\_\_ -U 1-2-3 [25-51-76] High Extension Adapter  
 \_\_\_ -VP Vandal-Proof Secured Top  
 \_\_\_ -Y Sediment Bucket

\* Regularly furnished unless otherwise specified.