



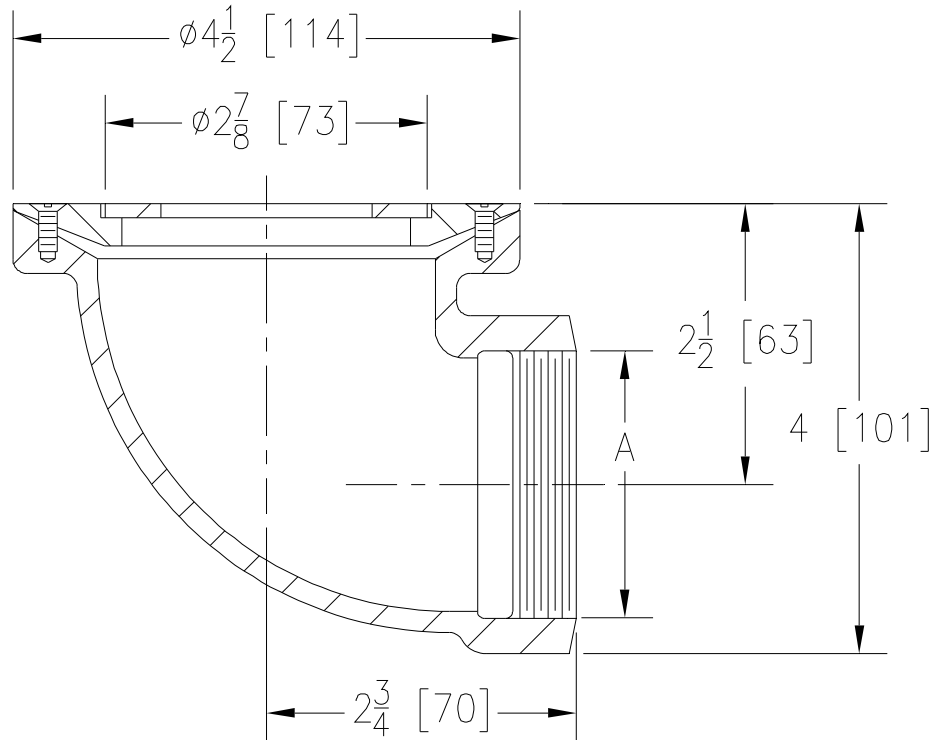
Z182-FS

4-1/2 [114] DIAMETER CORNICE DRAIN W/ FLAT STRAINER AND 90° OUTLET

SPECIFICATION SHEET

TAG _____

Dimensional Data (inches and [mm]) are Subject to Manufacturing Tolerances and Change Without Notice



A Pipe Size In. [mm]	Approx. Wt. Lbs. [kg]	Strainer Open Area Sq. In. [cm ²]
2 [51]	5 [2]	2.3 [15]

ENGINEERING SPECIFICATION: ZURN ZN182-FS
4-1/2" [114mm] Diameter cornice drain, Dura-Coated cast iron 90° side outlet body, flat strainer and membrane flashing clamp.

OPTIONS (Check/specify appropriate options)

PIPE SIZE

2 [50]

OUTLET

___ IP Threaded

PREFIXES

___ ZN D.C.C.I. Body with Polished Nickel Bronze Top*

SUFFIXES

___ -G Galvanized Cast Iron
___ -VP Vandal Proof Secured Top

* Regularly furnished unless otherwise specified.