



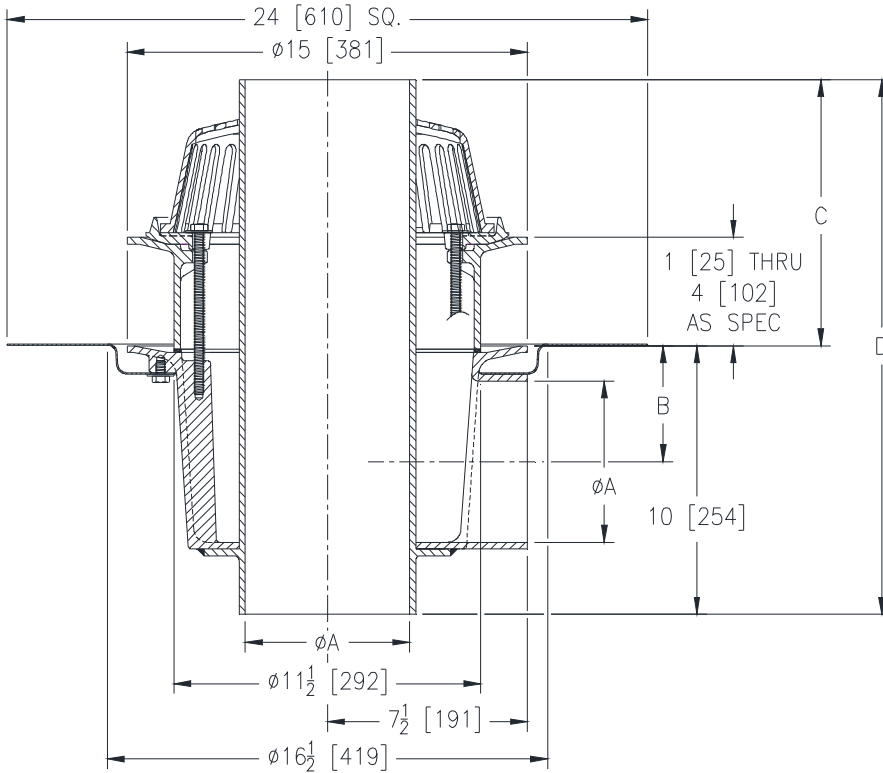
Z103-DP-E

15 [381] DIAMETER DEEP SUMP DUAL OUTLET ROOF DRAIN W/ STATIC EXTENSION AND TOP-SET DECK PLATE

SPECIFICATION SHEET

TAG _____

Dimensional Data (inches and [mm]) are Subject to Manufacturing Tolerances and Change Without Notice



Dimensions in Inches [mm]		
EXT. HT.	C	D
1 [25]	5-13/32 [137]	16-29/32 [429]
1-1/2 [38]	5-29/32 [150]	17-13/32 [442]
2 [51]	6-13/32 [163]	17-29/32 [455]
2-1/2 [64]	6-29/32 [175]	18-13/32 [468]
3 [76]	7-13/32 [188]	18-29/32 [480]
3-1/2 [89]	7-29/32 [201]	19-13/32 [493]
4 [102]	8-13/32 [214]	19-29/32 [506]

A Pipe Size In [mm]	B In. [mm]	Approx. Wt. Lbs. [kg]	Dome Open Area Sq. In. [cm ²]
3 [76]	5-9/16 [141]	77 [35]	103 [665]
4 [102]	5-1/16 [129]		
6 [152]	4 [102]		

ENGINEERING SPECIFICATION: ZURN Z103-DP-E

15" [381mm] Diameter dual outlet roof drain with 90° primary outlet connection. Dura-Coated cast iron deep sump body with combination membrane flashing clamp/gravel guard, overflow pipe (3", 4", 6" [76mm, 102mm, 152mm]), low silhouette cast iron dome, static extension and Top-Set® deck plate.

OPTIONS (Check/specify appropriate options)

PIPE SIZE

3, 4, 6 [76, 102, 152]

(Specify size) OUTLET

_____ NH No-Hub

PREFIXES

_____ Z D.C.C.I. Body w/ Cast Iron Dome*

SUFFIXES

_____ -AR Acid Resistant Epoxy Coated Finish
 _____ -DU Cast Iron Dome on Overflow Pipe
 _____ -G Galvanized Cast Iron
 _____ -MS Mesh Screen on Overflow Pipe
 _____ -SS Stainless Mesh Screen over Dome

_____ -VP Vandal-Proof Secured Top
 _____ -2OF 2 [51] High Overflow Pipe
 _____ -84 Stainless Steel perforated Gravel Guard

* Regularly furnished unless otherwise specified.