

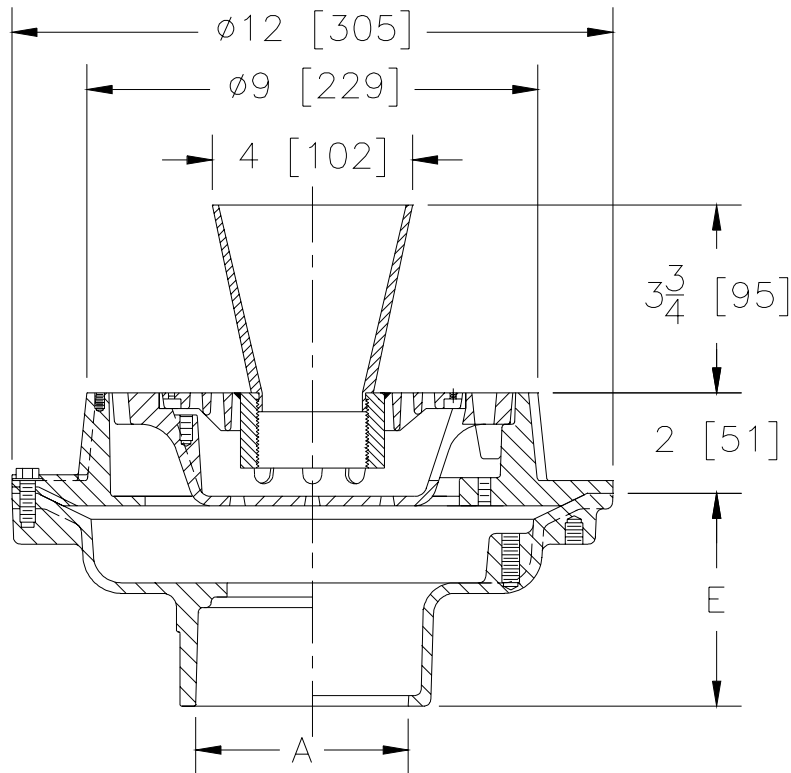


Z-554-76

9" [229] MEDIUM DUTY DRAIN WITH SUR-SET BUCKET

TAG _____

Dimensional Data (inches and [mm]) are Subject to Manufacturing Tolerances and Change Without Notice



A- Pipe Size In.	Approx. Wt. Lbs. [kg]	Grate Open Area Sq. In. [cm ²]
2-3-4 [50-75-100]	21 [10]	9 [58]

ENGINEERING SPECIFICATION: ZURN Z-554-76 9 [229] Diameter top drain, Dura-Coated cast iron body with bottom outlet, seepage pan and combination membrane flashing clamp frame and medium duty cast iron grate with funnel and sur-set bucket.

OPTIONS (Check/specify appropriate options)

PIPE SIZE

- 2, 3, 4 [50, 75, 100]
- 2, 3, 4 [50, 75, 100]
- 2, 3, 4 [50, 75, 100]
- 2, 3, 4 [50, 75, 100]
- 2, 3, 4 [50, 75, 100]

(Specify size/type) **OUTLET**

- _____ IC Inside Caulk
- _____ IG Inside Caulk w/Sealtrol Gskt.
- _____ IP Threaded
- _____ NH No-Hub
- _____ NL Neo-Loc

'E' BODY HT. DIM.

- 3 3/4 [95]
- 3 3/4 [95]
- 2 3/4 [70]
- 4 3/4 [121]
- 3 1/2 [89]

PREFIXES

- _____ Z- D.C.C.I. Body and Grate*

SUFFIXES

- _____ -AR Acid Resisting Epoxy Coated Finish
- _____ -G Galvanized Cast Iron
- _____ -P Trap Primer Connection
- _____ -V Backwater Valve (See Z-1099)
- _____ -VP Vandal Proof Secured Top
- _____ -90 90° Threaded Side Outlet Body (2 [50] thru 4 [100])

REV.	DATE: 2/24/97	C.N. NO. 77053
DWG. NO. P-14435 PRODUCT NO. Z-554-76		

*REGULARLY FURNISHED UNLESS OTHERWISE SPECIFIED