



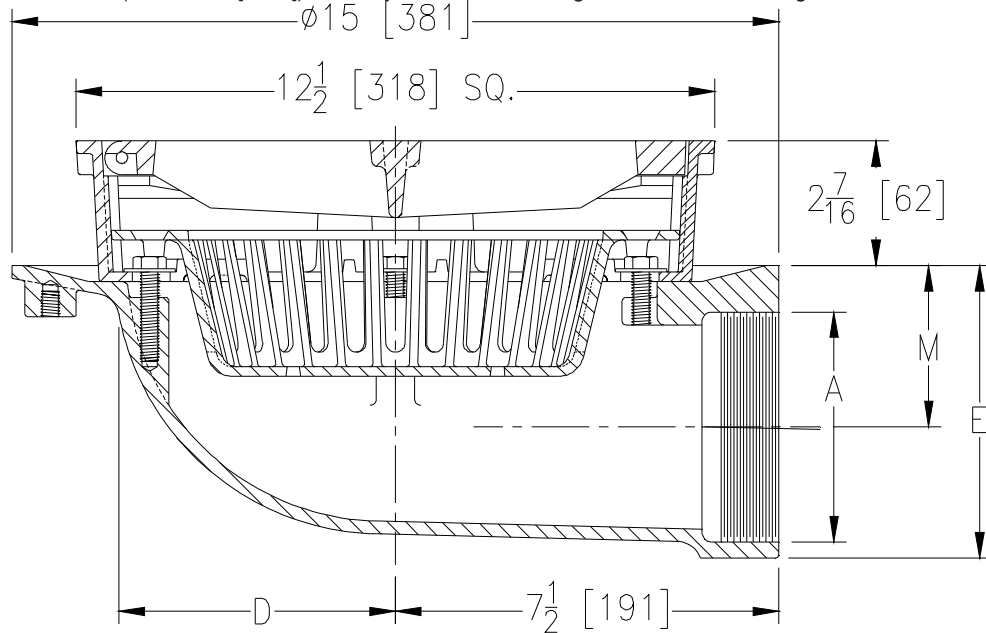
Z610-H-90

12-1/2 [318] SQUARE TOP HEAVY-DUTY DRAIN
W/ HINGED GRATE AND SIDE OUTLET

SPECIFICATION SHEET

TAG _____

Dimensional Data (inches and [mm]) are Subject to Manufacturing Tolerances and Change Without Notice



Dimensions In Inches [mm]			Approx. Wt. Lbs. [kg]	Grate Open Area Sq. In [cm ²]
A Pipe Size	D	M		
2 [51]	5-7/16 [138]	4-1/4 [108]	68 [31]	42 [271]
3 [76]	5-7/16 [138]	3-11/16 [94]	67 [30]	
4 [102]	5-7/16 [138]	3-3/16 [81]	66 [30]	
6 [152]	5-1/2 [140]	4-1/4 [108]	77 [35]	

ENGINEERING SPECIFICATION: ZURN Z610-H-90
12-1/2" [318mm] Square top heavy-duty drain. Dura-Coated cast iron body with side outlet, seepage pan and combination membrane flashing clamp and frame for heavy-duty cast iron hinged grate with suspended polypropylene sediment bucket.

OPTIONS (Check/specify appropriate options)

PIPE SIZE

2, 3, 4 [51, 76, 102]
6 [152]

(Specify size/type) **OUTLET**

_____ IP Threaded
_____ IP Threaded

E BODY HT. DIM.

5-3/4 [146]
7-7/8 [200]

PREFIXES

- _____ Z D.C.C.I. Body and Grate*
- _____ ZB D.C.C.I. Body with Polished Bronze Top (Add 3/16 [5] to 2-1/2 [63] Dim. and 3/4 [19] to 12-1/2 [317] Dim.)
- _____ ZN D.C.C.I. Body with Polished Nickel Bronze Top (Add 3/16 [5] to 2-1/2 [63] Dim. and 3/4 [19] to 12-1/2 [317] Dim.)

SUFFIXES

- _____ -AR Acid Resistant Epoxy Coated Cast Iron
- _____ -DG Duresist Grate
- _____ -DS Ductile Iron Solid Cover
- _____ -DX Dex-o-tex Flange (ZB, ZN Only)
- _____ -F 2 [51] High Extension
- _____ -G Galvanized Cast Iron
- _____ -LY (Less) Sediment Bucket
- _____ -P Trap Primer Connection
- _____ -SS Stainless Steel Mesh Liner for Bucket-p
- _____ -TS Top Secured with Slotted Screws
- _____ -VP Vandal-Proof Secured Top
- _____ -YA Aluminum Sediment Bucket
- _____ -YC Cast Iron Sediment Bucket

* Regularly furnished unless otherwise specified.