



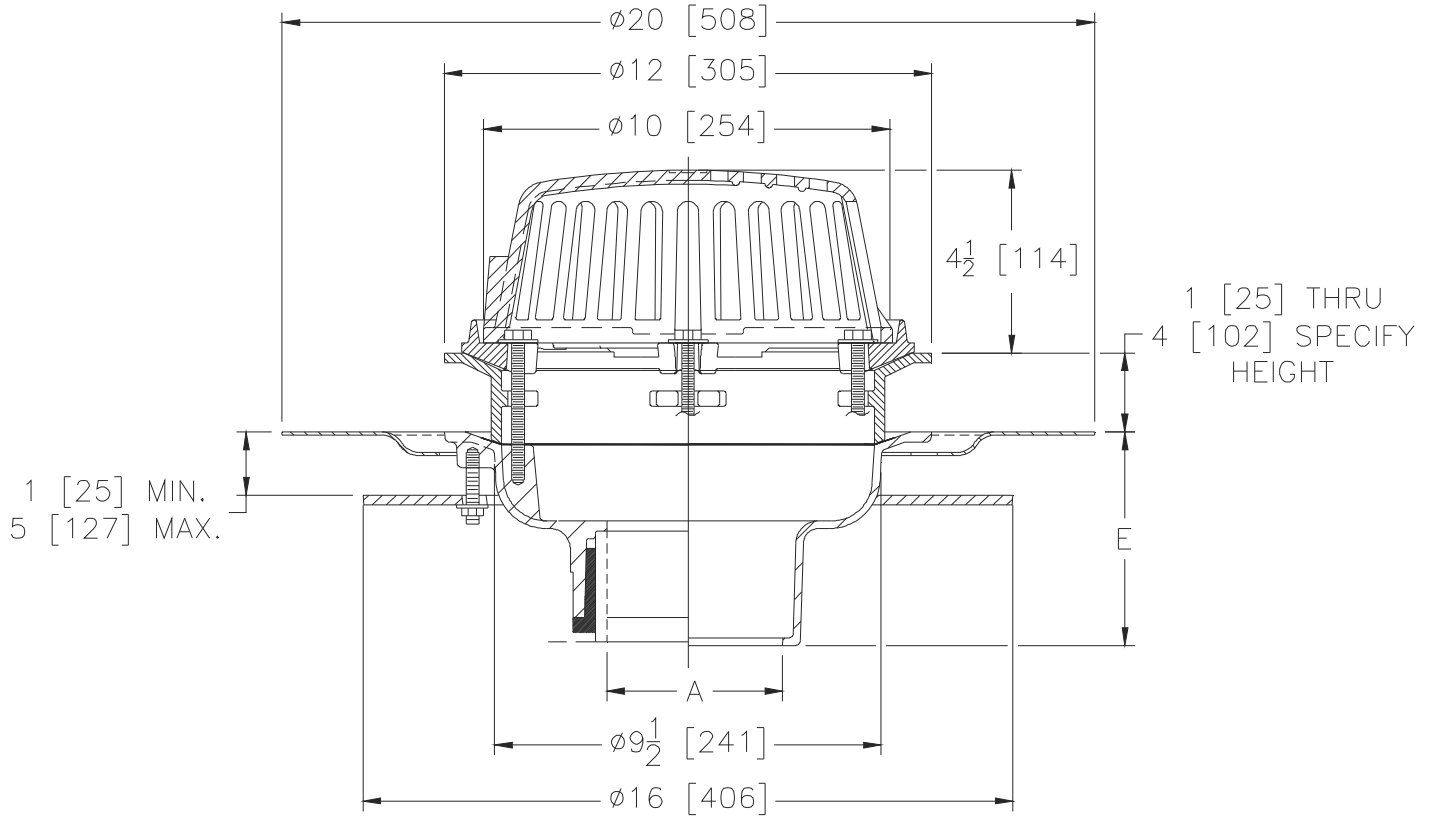
Z121-C-E-R

12 [305] DIAMETER ROOF DRAIN W/ UNDERDECK CLAMP,
STATIC EXTENSION, AND ROOF SUMP RECEIVER

SPECIFICATION SHEET

TAG _____

Dimensional Data (inches and [mm]) are Subject to Manufacturing Tolerances and Change Without Notice



A Pipe Size in [mm]	Approx Wt. lbs [kg]	Dome Open Area in ² [cm ²]
2,3,4,6 [51,76,102,152]	22 [10]	78 [503]

ENGINEERING SPECIFICATION: ZURN Z121-C-E-R

12" [305mm] Diameter roof drain. Dura-Coated cast iron body with combination membrane flashing clamp/gravel guard, gasketed static extension, roof sump receiver, underdeck clamp and low silhouette Poly-Dome.

OPTIONS (Check/specify appropriate options)

PIPE SIZE

- 2,3,4,6 [51,76,102,152]
- 2,3,4,6 [51,76,102,152]
- 2,3,4,6 [51,76,102,152]
- 2,3,4 [51,76,102]

(Specify size/type) OUTLET

- _____ IC Inside Caulk
- _____ IP Threaded
- _____ NH No-Hub
- _____ NL Neo-Loc

E BODY HT. DIM.

- 5-1/4 [133]
- 3-3/4 [95]
- 5-1/4 [133]
- 4-9/16 [116]

PREFIXES

- _____ Z D.C.C.I. Body with Poly-Dome (4-1/4 [108] Dome Height)*
- _____ ZA D.C.C.I. Body with Aluminum Dome (6-9/16 [167] Dome Height)
- _____ ZC D.C.C.I. Body with Cast Iron Dome

SUFFIXES

- | | |
|---|---|
| _____ -AR Acid Resistant Epoxy Coated | _____ -TC Neo-Loc Test Cap Gasket |
| _____ -DB Deep Sump Body | (2,3,4 [51,76,102] NL Bottom Outlet Only) |
| _____ -FG Flush Grate | _____ -XJ Vertical Expansion Joint |
| _____ -G Galvanized Cast Iron | _____ -84 Stainless Steel Perforated Gravel Guard |
| _____ -SC Secondary Clamping Collar | _____ -85 Stainless Steel Perforated Extension |
| _____ -SS Stainless Mesh Screen Over Dome | _____ -89 2 [51] High External Water Dam |
| | _____ -90 90° Threaded Side Outlet Body |

* Regularly furnished unless otherwise specified.