



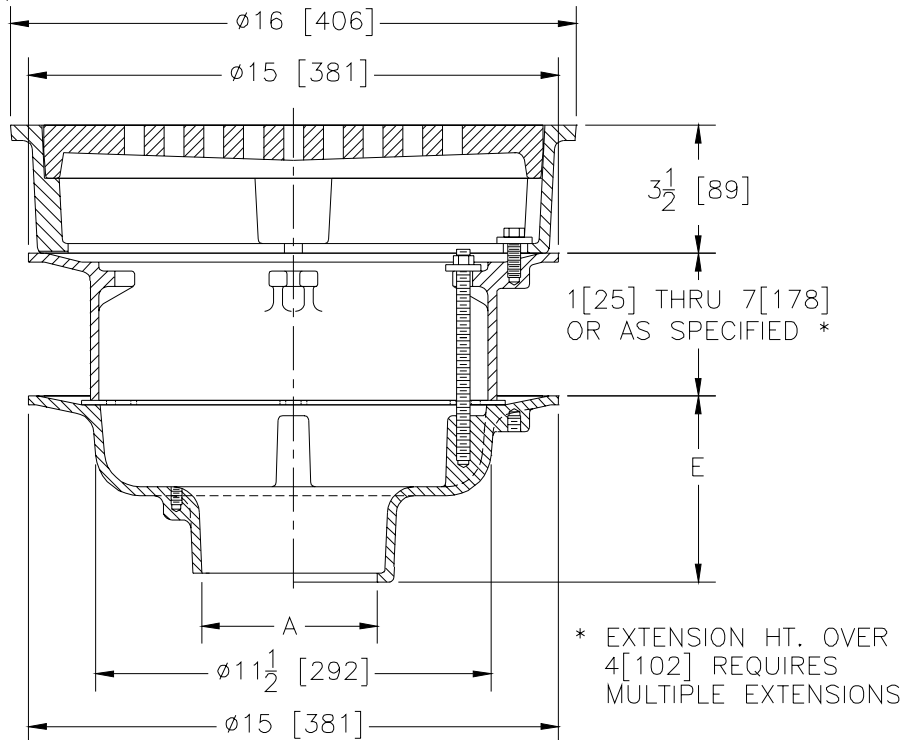
# Z545-76

SPECIFICATION SHEET

## 16 [406] DIAMETER HEAVY DUTY DRAIN W/ EXTENSION FRAME

TAG \_\_\_\_\_

Dimensional Data (inches and [ mm ]) are Subject to Manufacturing Tolerances and Change Without Notice



A- Pipe Size In.	Approx. Wt. Lbs. [kg]	Grate Open Area Sq. In. [cm <sup>2</sup> ]
2 - 3 - 4 [51 - 76 - 102]	69 [31]	50 [323]
5 - 6 [127 - 152]	69 [31]	
8 [203]	71 [32]	
10 [250]	70 [32]	

### ENGINEERING SPECIFICATION: ZURN Z545-76

16 [406] Diameter top drain, Dura-Coated cast iron deep sump body with bottom outlet, seepage pan and combination membrane flashing clamp, extension frame, frame, for heavy duty cast iron slotted grate.

### OPTIONS (Check/specify appropriate options)

#### PIPE SIZE

(Specify size/type) **OUTLET**

**'E' BODY HT. DIM.**

2 thru 6 - 8 - 10 [51 thru 152 - 203 - 250]	_____	IC	Inside Caulk	5 1/4 [133]
2 thru 6 - 8 - 10 [51 thru 152 - 203 - 250]	_____	IG	Inside Caulk w/Sealtrol Gskt.	5 1/4 [133]
2 thru 6 - 8 - 10 [51 thru 152 - 203 - 250]	_____	IP	Threaded	3 3/4 [95]
2 thru 6 - 8 - 10 [51 thru 152 - 203 - 250]	_____	NH	No-Hub	5 1/4 [133]
2 thru 4 [51 thru 1020]	_____	NL	Neo-Loc	4 5/8 [117]

#### PREFIXES

- \_\_\_\_\_ Z D.C.C.I. Body and Grate\*
- \_\_\_\_\_ ZB D.C.C.I. Body with Polished Bronze Grate (Add 3/16 [5] to 3 1/2 [89] Dim.)
- \_\_\_\_\_ ZN D.C.C.I. Body with Polished Nickel Bronze Grate (Add 3/16 [5] to 3 1/2 [89] Dim.)

#### SUFFIXES

- \_\_\_\_\_ -DG Duresist Grate
- \_\_\_\_\_ -G Galvanized Cast Iron
- \_\_\_\_\_ -TC Neo-Loc Test Cap Gasket (2 - 4 [ 51 - 76 ] NL Bottom Outlet Only)
- \_\_\_\_\_ -VP Vandal-Proof Secured Top
- \_\_\_\_\_ -90 90° Threaded Side Outlet (See Z1043)

REV. A DATE: 6/17/04 C.N. NO. 92294

DWG. NO. P-14433 PRODUCT NO. Z545-76

\*REGULARLY FURNISHED UNLESS OTHERWISE SPECIFIED

ZURN INDUSTRIES, INC. ♦ SPECIFICATION DRAINAGE OPERATION ♦ 1801 Pittsburgh Ave. ♦ Erie, PA 16514

Phone: 814455-0921 ♦ Fax: 814454-7929 ♦ World Wide Web: www.zurn.com

In Canada: ZURN INDUSTRIES LIMITED ♦ 3544 Nashua Drive ♦ Mississauga, Ontario L4V1L2 ♦ Phone: 905405-8272 Fax: 905405-1292