



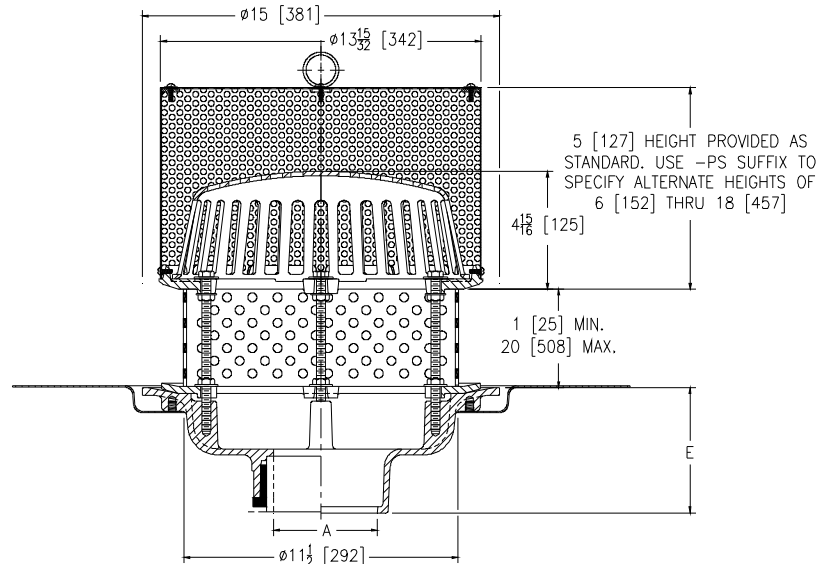
Z110-77

Ø15 [381] MAIN GREEN ROOF DRAIN W/ PERFORATED SCREEN ASS'Y, REMOVABLE COVER W/ LIFT HANDLE, STAINLESS STEEL DOME, TOP-SET DECK PLATE & PERFORATED EXTENSION

SPECIFICATION SHEET

TAG _____

Dimensional Data (inches and [mm]) are Subject to Manufacturing Tolerances and Change Without Notice



A Inches [mm]	Approx. Wt. Lbs. [kg]	Dome Open Area
2,3,4 [51,76,102]	30 [14]	103 [665]
5,6 [127,152]	32 [15]	
8 [203]	33 [15]	

ENGINEERING SPECIFICATION: ZURN Z110-77

Ø15" [381mm] Green Roof Drain. Dura-Coated cast iron body with combination membrane flashing clamp/gravel guard and low silhouette stainless steel dome. Complete with secured type 304 (CF8) stainless steel perforated screen assembly with secured removable access cover with lift handle, perforated extension, secondary clamp collar & Top-Set deck plate.

OPTIONS (Check/specify appropriate options)

PIPESIZE

- 2,3,4,5,6,8 [51,76,102,127,152,203]
- 2,3,4,5,6,8 [51,76,102,127,152,203]
- 2,3,4,5,6,8 [51,76,102,127,152,203]
- 2,3,4 [51,76,102]
- 6 [152]

(Specify size/type) **OUTLET**

- _____ IC Inside Caulk
- _____ IP Threaded
- _____ NH No-Hub
- _____ NL Neo-Loc
- _____ NL Neo-Loc

E BODY HT. DIM.

- 5-1/4 [133]
- 3-3/4 [95]
- 5-1/4 [133]
- 4-9/16 [116]
- 5-7/16 [112]

PREFIXES

- _____ Z D.C.C.I. Body with Poly-Dome
- _____ ZA D.C.C.I. Body with Aluminum Dome
- _____ ZC D.C.C.I. Body with Cast Iron Dome
- _____ ZRB D.C.C.I. Body with Plain Bronze Dome
- _____ ZS D.C.C.I. Body with Stainless Steel Dome*

SUFFIXES

- | | |
|--|---|
| _____ -AC Angular Underdeck Clamp | _____ -PS Perforated Screen 6 [152] thru 18 [457] (Specify Height Required) |
| _____ -AR Acid Resistant Epoxy Coated | _____ -R Roof Sump Receiver |
| _____ -C Underdeck Clamp | _____ -ST Dome with Solid Top (ZA, ZC & ZRB Only) |
| _____ -DE Deck Extension | _____ -TC Neo-Loc Test Cap Gasket (2 - 4 [51 - 102] NL Bottom Outlet Only) |
| _____ -DR Top-Set® Drain Riser | _____ -VP Vandal-Proof Secured Screen Cover |
| _____ -DX Dex-o-tex Flange | _____ -W2 2 [51] Internal Water Dam |
| _____ -E Static Extension 1 [25] thru 4 [102] (Specify Ht.) | _____ -W3 3 [76] Internal Water Dam |
| _____ -EA Adjustable Extension Assembly 2-1/8 [54] thru 3-1/2 [89] | _____ -W4 4 [102] Internal Water Dam |
| _____ -EB Top-Set® Adjustable Extension Assembly | _____ -85 Stainless Steel Perforated Extension |
| _____ -FG Flush Grate (Replaces Dome Strainer) | _____ -90 90° Threaded Side Outlet Body (2 thru 6 [51 or 152]) |
| _____ -G Galvanized Cast Iron | |
| _____ -GD Galvanized Cast Iron Dome (ZC Only) | |

* Regularly furnished unless otherwise specified.