



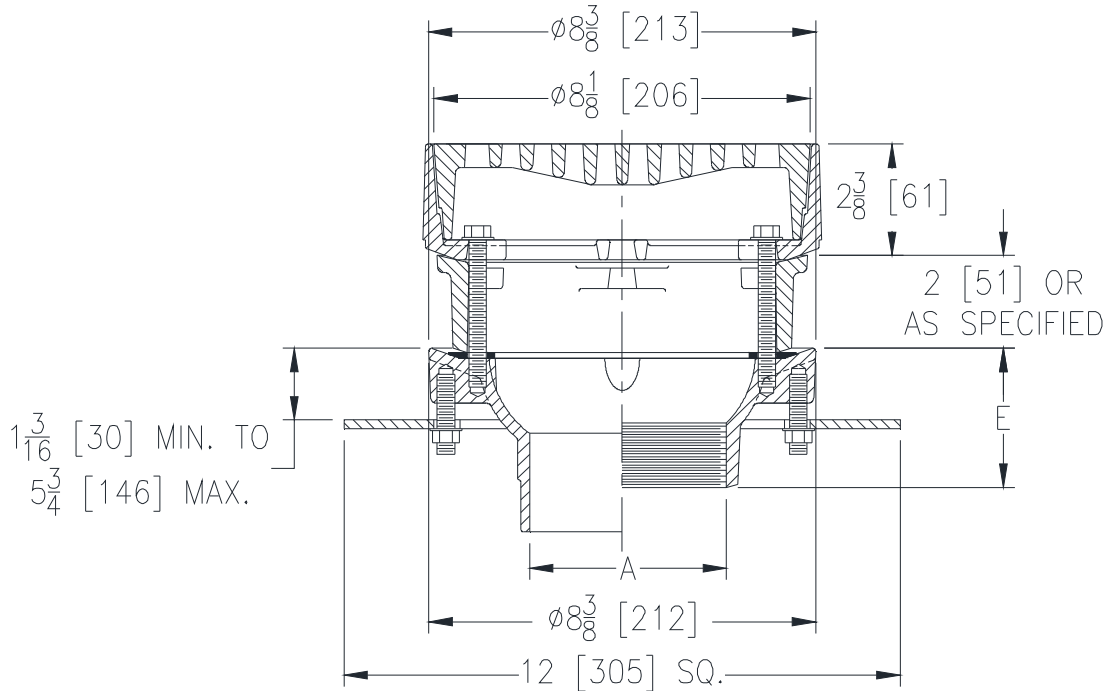
Z125-C-E-FG-89

8-3/8 [213] DIAMETER ROOF DRAIN W/ UNDERDECK CLAMP, STATIC EXTENSION, FLUSH GRATE & EXTERNAL WATER DAM

SPECIFICATION SHEET

TAG _____

Dimensional Data (inches and [mm]) are Subject to Manufacturing Tolerances and Change Without Notice



A- Pipe Size In. [mm]	Approx. Wt. Lbs. [kg]	Grate Open Area Sq. In. [cm ²]
2,3,4 [51,76,102]	22 [10]	13 [84]

ENGINEERING SPECIFICATION: ZURN Z125-C-E-FG-89
8-3/8" [213mm] Diameter roof drain, Dura-Coated cast iron body with underdeck clamp, static extension with 2" [51mm] high external water dam and flush grate.

OPTIONS (Check/specify appropriate options)

PIPE SIZE	(Specify size/type)	OUTLET	'E' BODY HT. DIM.
2,3,4 [51,76,102]	_____ IC	Inside Caulk	3-7/8 [98]
4 [102]	_____ IP	Threaded	3 [76]
3 [76]	_____ IP	Threaded	2-3/4 [70]
2 [51]	_____ IP	Threaded	2-7/16 [62]
2,3,4 [51,76,102]	_____ NH	No-Hub	4 [102]
2,3,4 [51,76,102]	_____ NL	Neo-Loc	3-13/16 [97]

PREFIXES

___ Z D.C.C.I. Body and Grate*

SUFFIXES

___ -AR	Acid Resistant Epoxy Coated Finish	___ -84	Stainless Steel Perforated Gravel Guard
___ -G	Galvanized Cast Iron	___ -90	90° Threaded Side Outlet Body (2,3,4 [51,76,102])
___ -R	Roof Sump Receiver		
___ -SC	Secondary Clamping Collar		
___ -TC	Neo-Loc Test Cap Gasket (2,3,4 [51,76,102] NL Bottom Outlet Only)		
___ -VP	Vandal-Proof Secured Top		
___ -XJ	Vertical Expansion Joint (See Z190)		

* Regularly furnished unless otherwise specified.