



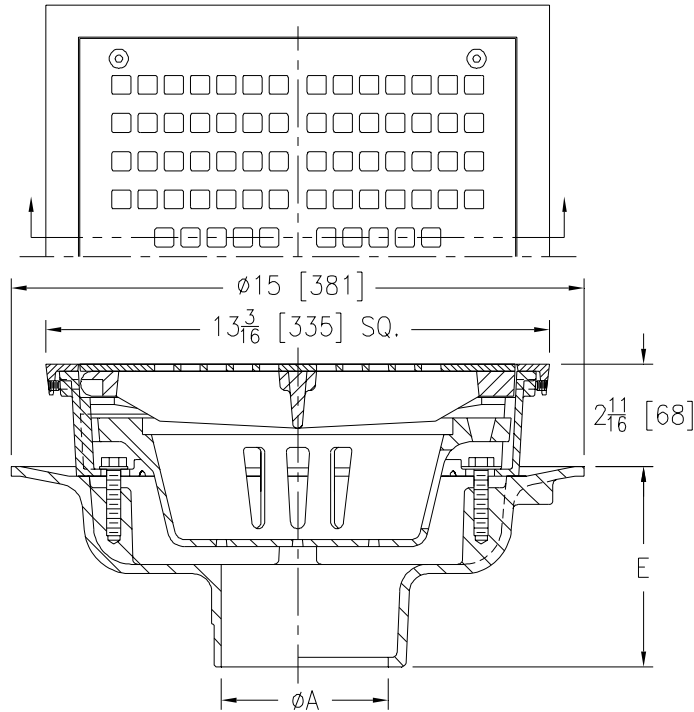
ZN610-107

SPECIFICATION SHEET

13 [330] SQUARE TOP HEAVY-DUTY DRAIN WITH SQUARE HOLE HINGED GRATE

TAG _____

Dimensional Data (inches and [mm]) are Subject to Manufacturing Tolerances and Change Without Notice



A Pipe Size	Approx. Wt. Lbs. [kg]	Grate Open Area Sq. In. [cm ²]
2-3-4-5-6 [51-76-102-127-152]	58 [26]	31 [200]
8-10 [203-254]	60 [27]	

ENGINEERING SPECIFICATION: ZURN ZN610-107

12 [305] Square top drain. Dura-Coated cast iron body with bottom outlet, seepage pan and combination membrane flashing clamp and frame for heavy-duty cast iron hinged grate, with rough cast nickel bronze veneer frame and square hole grate with suspended sediment bucket.

OPTIONS (Check/specify appropriate options)

PIPE SIZE

2 thru 6, 8, 10 [51 thru 152, 203, 254]
 2 thru 4, 6 [51 thru 102, 152]
 2 thru 6, 8, 10 [51 thru 152, 203, 254]
 2 thru 6, 8, 10 [51 thru 152, 203, 254]
 2 thru 4 [51 thru 102]

(Specify size/type) OUTLET

___ IC Inside Caulk
 ___ IG Inside Caulk w/Sealtrol Gskt.
 ___ IP Threaded
 ___ NH No-Hub
 ___ NL Neo-Loc

'E' BODY HT. DIM.

5 1/4 [133]
 5 1/4 [133]
 3 3/4 [95]
 5 1/4 [133]
 4 5/8 [117]

PREFIXES

___ ZB D.C.C.I Body w/ Polished Bronze Top.
 ___ ZN D.C.C.I Body w/ Polished Nickel Bronze Top*

SUFFIXES

___ -AR Acid Resistant Epoxy Coated Cast Iron	___ -TC Neo-Loc Test Cap Gasket
___ -DX Dex-o-tex Flange	(2 [51] - 4 [102] NL Bottom Outlet Only)
___ -F 2 [51] High Extension	___ -TS Top Secured with Slotted Screws
___ -G Galvanized Cast Iron	___ -V Backwater Valve (See Z1099)
___ -LY (Less) Sediment Bucket	___ -VP Vandal-Proof Secured Top
___ -P Trap Primer Connection	___ -YA Aluminum Sediment Bucket
___ -S Secondary Strainer	___ -90 90° Threaded Side Outlet Body
___ -SS Stainless Steel Mesh Liner for Bucket	

*REGULARLY FURNISHED UNLESS OTHERWISE SPECIFIED

REV. DATE: 01/04/07 C.N. NO. 95993

DWG. NO. P-15363 PRODUCT NO. ZN610-107

ZURN INDUSTRIES, INC. ♦ SPECIFICATION DRAINAGE OPERATION ♦ 1801 Pittsburgh Ave. ♦ Erie, PA 16514

Phone: 814/455-0921 ♦ Fax: 814/454-7929 ♦ World Wide Web: www.zurn.com

In Canada: ZURN INDUSTRIES LIMITED ♦ 3544 Nashua Drive ♦ Mississauga, Ontario L4V1L2 ♦ Phone: 905/405-8272 Fax: 905/405-1292