



Z895-104

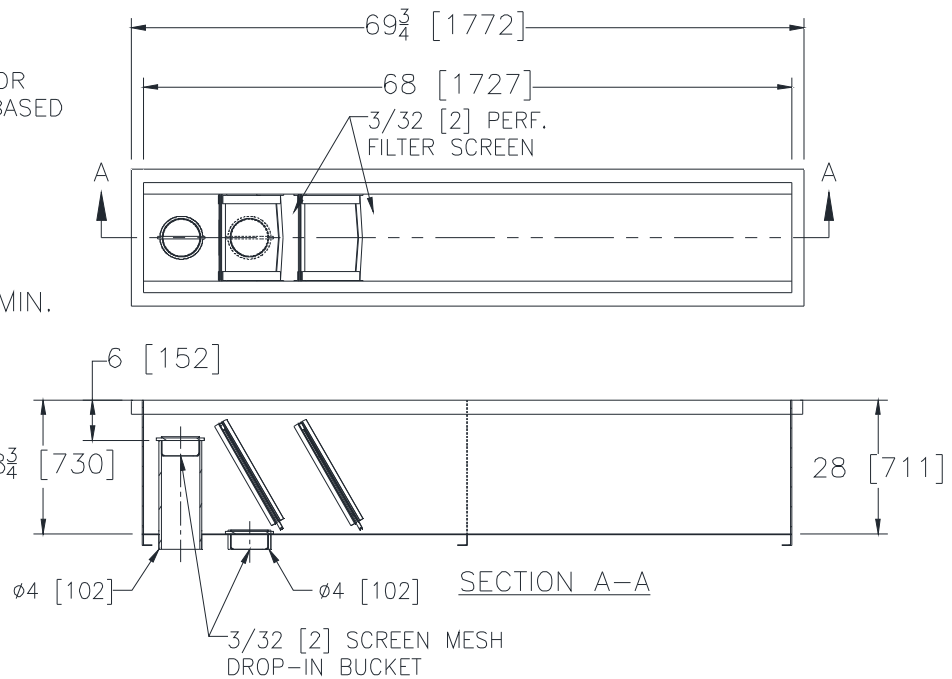
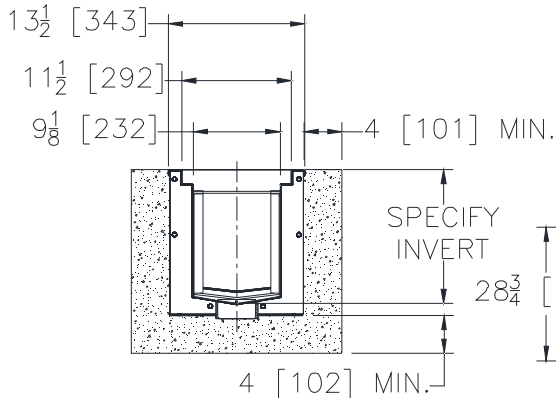
LINT INTERCEPTING TRENCH DRAIN SYSTEM

SPECIFICATION SHEET

TAG _____

Dimensional Data (inches and [mm]) are Subject to Manufacturing Tolerances and Change Without Notice

SPECIFYING ENGINEER IS RESPONSIBLE FOR CONCRETE ENCASEMENT AND REINFORCING BASED UPON APPLICATION AND LOCAL CODES



ENGINEERING SPECIFICATION: Zurn Z895-104

Channels are 13-1/2" [343mm] wide, a 9-1/8" [232mm] throat with closed end caps. Modular channel sections are made of #12 ga. fabricated Stainless Steel conforming to ASTM A-240 (type 304). Channels shall have a smooth 1-1/2" [38mm] radiused self cleaning bottom with a Manning's Coefficient of 0.009 and 1.04% built-in slope. Channels shall have feet for patty pour or leveling Studs standard to secure trench in its final location. All welds must be performed by a certified welder per ASTM standard AWS D1.6. Channels shall be produced in the U.S.A. Complete with primary, 3/8" [10mm] filter screen, secondary 3/32" [2mm] filter screen, and 3/32" [2mm] filter drop-in bucket.

PREFIX OPTIONS (Check/specify appropriate options)

___ -Z Type 304 Stainless Steel*

SUFFIX OPTIONS (Check/specify appropriate options)

___ -U4 4 [102] No-Hub Bottom Outlet

Miscellaneous Options

- ___ -DB Bottom Drop-in Bucket
- ___ -K Anchor Flange
- ___ -KC Clamp Collar and Pan with Weep Holes

* Regularly furnished unless otherwise specified.