



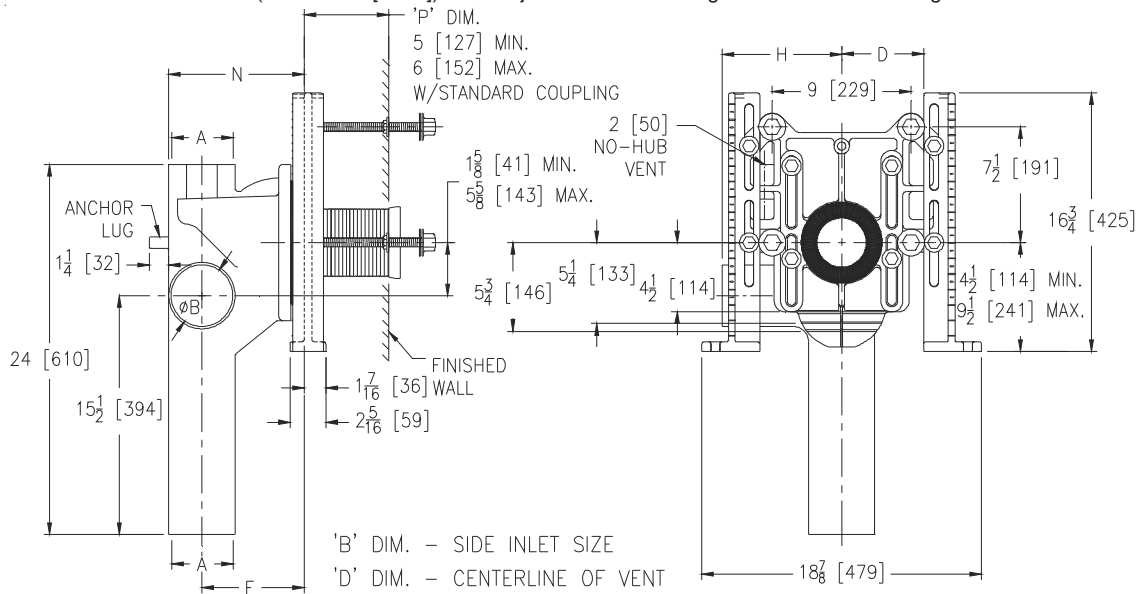
# Z1204-1N

## ADJUSTABLE VERTICAL SIPHON JET NO-HUB WITH SIDE INLET

SPECIFICATION SHEET

TAG \_\_\_\_\_

Dimensional Data (inches and [ mm ]) are Subject to Manufacturing Tolerances and Change Without Notice



**Note:**

1. Min. 'P' dim. obtainable = 2 [51] with cut standard coupling.
2. 2 [51] No-Hub Vent located on same side as 3 [76], 4 [102] side inlet.
3. 2 [51] No-Hub Auxiliary inlet located opposite 3 [76], 4 [102] side inlet when spec. (-JL or -JR).
4. Feet bolted to floor using min. 1/2 [13] dia. bolts and back slots on carrier feet.
5. Back anchor feet required for secure installation.

Product No.	Dimensions In Inches [mm]						Approx. Wt. Lbs. [kg]
	A	B	D	E	H	N	
Z1204-1NL4/1NR4	4 [102]	4 [102]	5 [127]	6-5/8 [168]	5-1/2 [140]	8-7/8 [225]	85 [39]
Z1204-1NL43/1NR43	4 [102]	3 [76]	5 [127]	6-5/8 [168]	5-1/2 [140]	8-7/8 [225]	85 [39]

**ENGINEERING SPECIFICATION: ZURN Z1204-1N()**

Adjustable, vertical siphon jet water closet "Rigid System" with 4" [102mm] No-Hub connections and ( ) side inlets. Complete with Dura-Coated cast iron right or left hand fitting, with 2" [51mm] vent, adjustable gasketed face plate, universal floor mounted foot supports, corrosion resistant adjustable Polymer coupling with integral test cap, fixture bolts, trim, stud protectors, rear anchor tie down, and bonded "Neo-Seal" gasket.

**PRODUCT/DEFINITION**

- \_\_\_ Z1204-1NL No-Hub Stack, Single Inlet, (1) ( ) Left Hand Side Inlet, 2 [51] Left Hand Vent
- \_\_\_ Z1204-1NR No-Hub Stack, Single Inlet, (1) ( ) Right Hand Side Inlet, 2 [51] Right Hand Vent

**PREFIXES**

- \_\_\_ Z D.C.C.I. System with Zurn "ZZ" Adjustable Coupling\*
- \_\_\_ ZQ D.C.C.I. System with NPT Face Plate, Non Adjustable Coupling

**SUFFIXES**

- \_\_\_ -A Auxiliary Support Assembly (for 'P' Dim. Greater Than 18 [457])
- \_\_\_ -B Blowout Type Fixture Support
- \_\_\_ -CC Corrosion Resistant Cast Iron Coupling (6 - 12 [152 - 305])
- \_\_\_ -CL Coupling Length Other than Standard 6 [152] (Specify Length Required)
- \_\_\_ -F Floor Mounted Back Outlet, Fixture Support
- \_\_\_ -JL 2 [51] Left Hand Auxiliary Inlet
- \_\_\_ -JR 2 [51] Right Hand Auxiliary Inlet
- \_\_\_ -M Auxiliary Foot Support (for 'P' Dim. 10 - 18 [254 - 457])
- \_\_\_ -PF Pre-Fab Foot
- \_\_\_ -PS Pre-Fab Slotted Foot
- \_\_\_ -RYK Unistrut Pre-Fab Foot
- \_\_\_ -VP Vandal-Proof Trim
- \_\_\_ -X3 3 [76] Foot Extension (See Z1200-FT-EXT-3)
- \_\_\_ -X4 4 [102] Foot Extension (See Z1200-FT-EXT-4)
- \_\_\_ -45 Finishing Frame for Siphon Jet System (See Z1200-FINFRAME-SJ)
- \_\_\_ -50 Flush Valve Supply Support for W.C. (See Z1200-SPLY-SPRT-WC)

\* Regularly furnished unless otherwise specified.