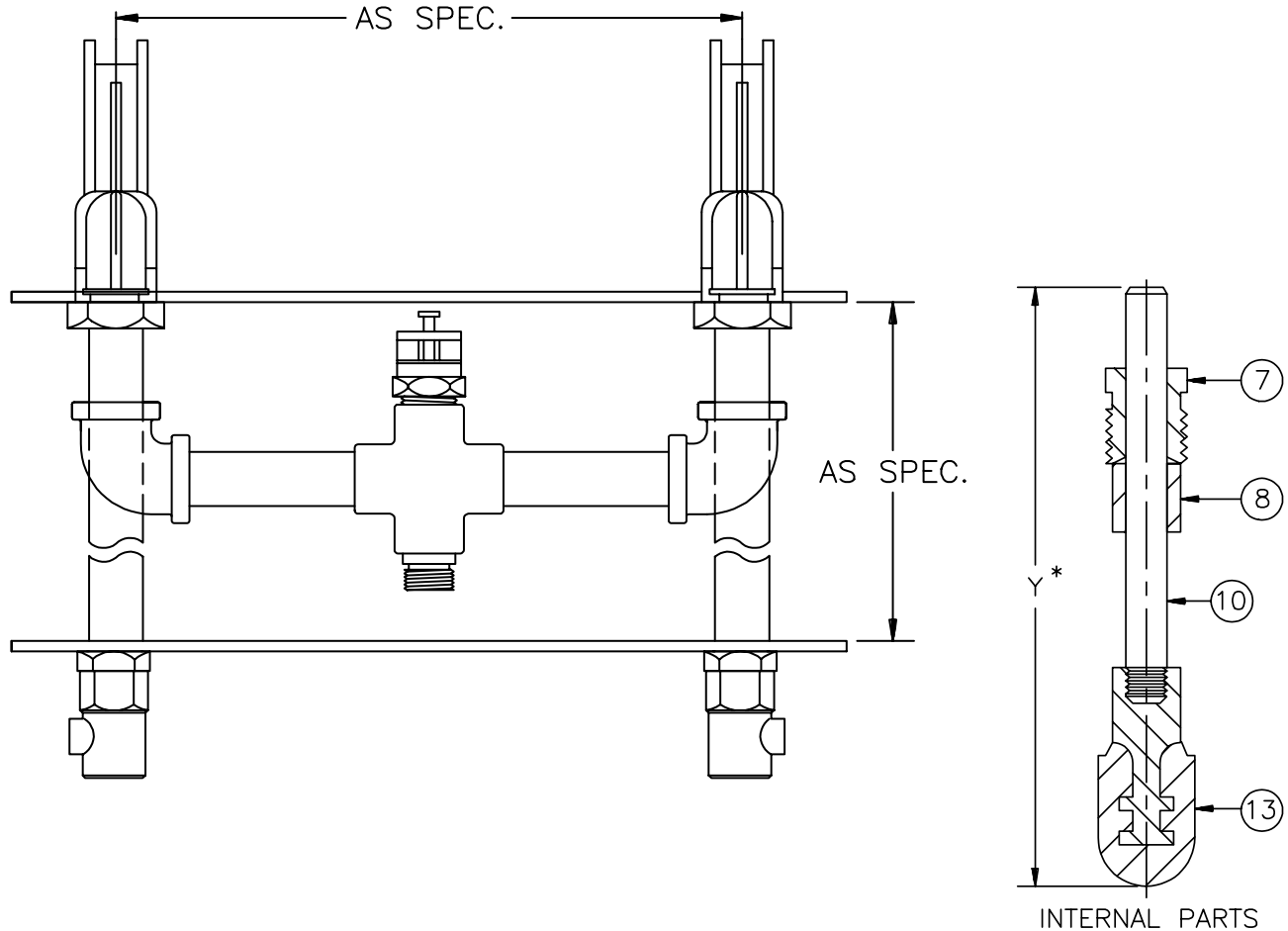




**Z-1395-76 HOT AND COLD
POST HYDRANT
Exposed Head, Non-Freeze**

TAG _____

Dimensions Subject to Manufacturing Tolerances



ENGINEERING SPECIFICATION: ZURN Z-1395-76 Exposed, non-freeze yard hydrants for hot and cold water, with Dura-Coated cast iron heads and lift handles with lock option. Bronze interior parts and galvanized steel casings with bronze valve housings and 1/4" IP drain ports in housing complete with single hose connection and atmospheric vacuum breaker.

Note: 'B' dim. based on outlet connection 30" above ground.

** Non-Freeze feature will not function when (-5 suffix) vacuum breaker is specified.

OPTIONS (Check/specify appropriate options)

SUFFIXES

- _____ **-RK** Hydrant Parts Repair Kit
- _____ **-5** 3/4" Adapter Vacuum Breaker**
- _____ **-20** Aluminum Casing Guard

PARTS LIST

<u>Item</u>	<u>Name</u>	<u>Quan.</u>
7	Operating Coupling	1
8	Packing	1
10	Operating Rod	1
13	Plunger	1

* When ordering replacement parts specify Y dim.

REV.	DATE: 9/22/94	C.N. NO. 70089
DWG. NO. P-14077 PRODUCT NO. Z-1395-76		