



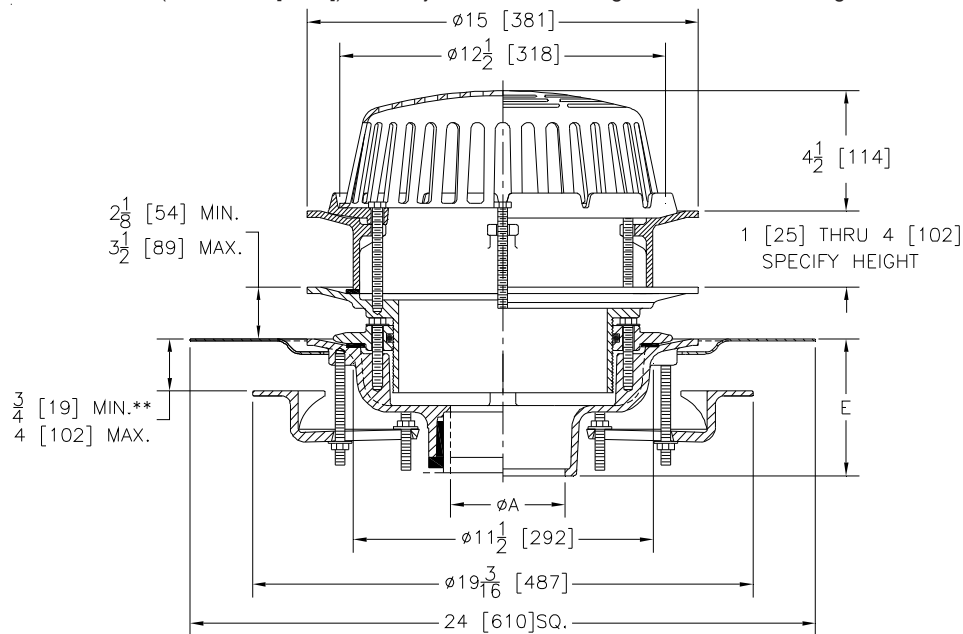
Z100-C-E-EA-R

15 [381] DIAMETER MAIN ROOF DRAIN W/ UNDERDECK CLAMP, STATIC EXTENSION, ADJUSTABLE EXTENSION, AND ROOF SUMP RECEIVER

SPECIFICATION SHEET

TAG _____

Dimensional Data (inches and [mm]) are Subject to Manufacturing Tolerances and Change Without Notice



A Pipe Size in [mm]	Approx Wt. lbs [kg]	Dome Open Area in ² [cm ²]
2,3,4 [51,76,102]	48 [22]	103 [665]
6 [152]	49 [23]	
8 [203]	50 [23]	

ENGINEERING SPECIFICATION: ZURN Z100-C-E-EA-R

15" [381mm] diameter roof drain. Dura-Coated cast iron body with combination membrane flashing clamp/gravel guard, static extension, adjustable extension, low silhouette Poly-Dome, roof sump receiver and underdeck clamp.

OPTIONS (Check/specify appropriate options)

PIPE SIZE

- 3,4,6 [76,102,152]
- 2,3,4,6,8 [51,76,102,152,203]
- 2,3,4,6,8 [51,76,102,152,203]
- 2,3,4 [51,76,102]
- 6 [152]

(Specify size/type) OUTLET

- _____ IC Inside Caulk
- _____ IP Threaded
- _____ NH No-Hub
- _____ NL Neo-Loc
- _____ NL Neo-Loc

E BODY HT. DIM.

- 5-1/4 [133]
- 3-3/4 [95]
- 5-1/4 [133]
- 4-5/8 [117]
- 5-7/16 [138]

PREFIXES

- _____ Z D.C.C.I. Body with Poly-Dome*
- _____ ZA D.C.C.I. Body with Aluminum Dome
- _____ ZC D.C.C.I. Body with Cast Iron Dome
- _____ ZRB D.C.C.I. Body with Plain Bronze Dome

SUFFIXES

- | | |
|---|---|
| _____ -AR Acid Resistant Epoxy Coated | _____ -TC Neo-Loc Test Cap Gasket (2,3,4 [51,76,102] NL Bottom Outlet Only) |
| _____ -AW 3/4 [19] to 4 [102] Adjustable Water Level Regulator (Specify Height) (ZC Only) | _____ -VP Vandal Proof Secured Top |
| _____ -FG Flush Grate (Replaces Dome Strainer) | _____ -W2 2 [51] Internal Water Dam |
| _____ -G Galvanized Cast Iron | _____ -W3 3 [76] Internal Water Dam |
| _____ -HD 6-3/4 [171] High Aluminum Dome (148 sq. in. [955 cm ²] open area) | _____ -W4 4 [102] Internal Water Dam |
| _____ -SC Secondary Clamping Collar | _____ -84 Stainless Steel Perforated Gravel Guard |
| _____ -ST Dome w/ Solid Top (ZA and ZC Only) | _____ -85 Stainless Steel Perforated Extension |
| | _____ -89 2 [51] High External Water Dam |
| | _____ -90 90° Threaded Side Outlet Body |

* Regularly furnished unless otherwise specified.

** With standard studs, longer studs available upon request.