



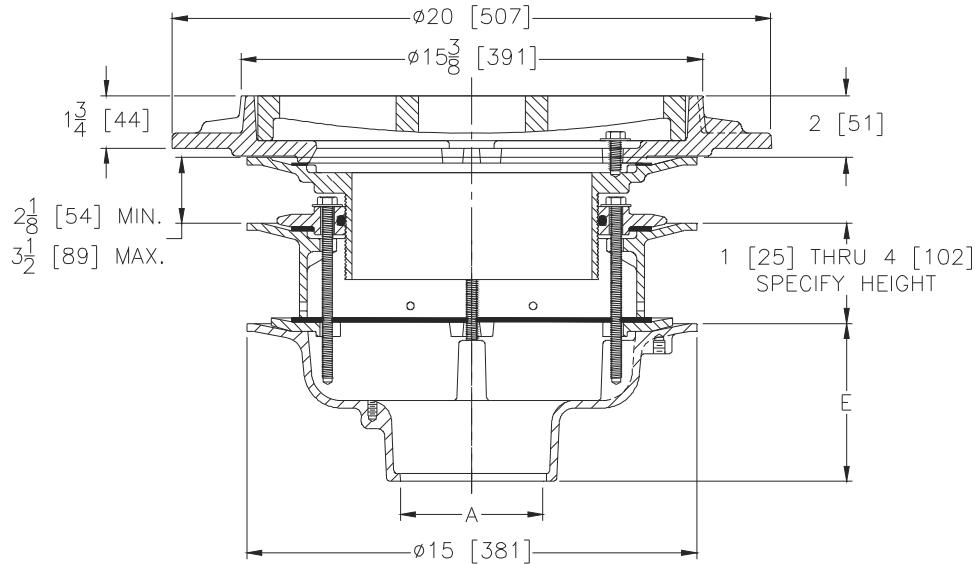
Z536-83

15 [381] DIAMETER HEAVY-DUTY PARKING DECK DRAIN W/ SUPPORT FLANGE, ADJUSTABLE EXTENSION, & STATIC EXTENSION WITH SEEPAGE HOLES

SPECIFICATION SHEET

TAG _____

Dimensional Data (inches and [mm]) are Subject to Manufacturing Tolerances and Change Without Notice



A Pipe Size In. [mm]	Approx. Wt. Lbs. [kg]	Grate Open Area Sq. In. [cm ²]
2,3,4,5,6 [51,76,102,127,152]	122 [55]	56 [361]
8,10 [203,254]	124 [56]	

ENGINEERING SPECIFICATION: ZURN Z536-83

15" [381mm] Diameter Parking Deck Drain, Dura-Coated cast iron body with bottom outlet, adjustable extension, cast iron extension with seepage holes, secondary clamp collar & heavy-duty gasketed drain support flange, with heavy-duty slotted grate.

OPTIONS (Check/specify appropriate options)

PIPE SIZE	(Specify size/type)	OUTLET	'E' BODY HT. DIM.
2,3,4,5,6,8,10 [51,76,102,127,152,203,254]	___	IC Inside Caulk	5-1/4 [133]
2,3,4,6 [51,76,102,152]	___	IG Inside Gasket	5-1/4 [133]
2,3,4,5,6,8,10 [51,76,102,127,152,203,254]	___	IP Threaded	3-3/4 [95]
2,3,4,5,6,8,10 [51,76,102,127,152,203,254]	___	NH No-Hub	5-1/4 [133]
2,3,4 [51,76,102]	___	NL Neo-Loc	4-5/8 [117]

PREFIXES

- ___ Z D.C.C.I. Body and Top*
- ___ ZB D.C.C.I. Body with Polished Bronze Top (Add 3/16 [5] to 2 [51] Dim.)
- ___ ZN D.C.C.I. Body with Polished Nickel Bronze Top (Add 3/16 [5] to 2 [51] Dim.)

SUFFIXES

- ___ -C Underdeck Clamp
- ___ -DG Duresist Grate
- ___ -G Galvanized Cast Iron
- ___ -SA Stabilizer Assembly (See Z1036)
- ___ -TC Neo-Loc Test Cap Gasket
- ___ -VP Vandal-Proof Secured Top
- ___ -XJ Vertical Expansion Joint (See Z190)
(Use with IP Type Outlet)
- ___ -Y Sediment Bucket
- ___ -24 24 [610] Diameter Flange

(2,3,4 [51,76,102] NL Bottom Outlet Only)

* Regularly furnished unless otherwise specified.