



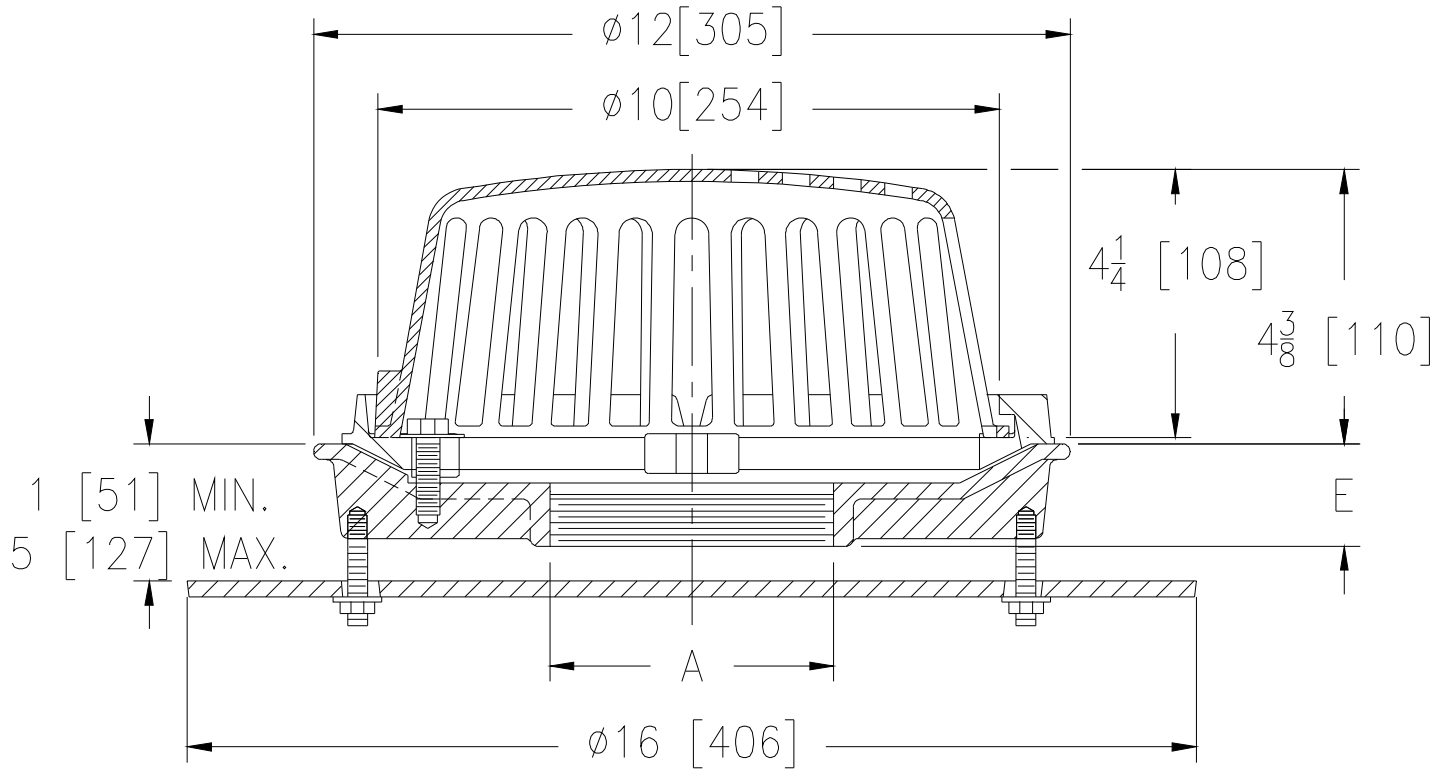
Z111-C

12 [305] DIAMETER ROOF DRAIN FOR METAL DECK W/ UNDERDECK CLAMP

SPECIFICATION SHEET

TAG _____

Dimensional Data (inches and [mm]) are Subject to Manufacturing Tolerances and Change Without Notice



A Pipe Size in [mm]	Approx Wt. lbs [kg]	Dome Open Area in ² [cm ²]
3,4 [76,102]	22 [10]	78 [503]
6 [152]	24 [11]	

ENGINEERING SPECIFICATION: ZURN Z111-C

12" [305mm] Diameter Flat Deck roof drain for metal decks, Dura-Coated cast iron body with combination membrane flashing clamp/gravel guard, underdeck clamp and low silhouette cast iron dome.

OPTIONS (Check/specify appropriate options)

PIPE SIZE

3,4 [76,102]
6 [152]

(Specify size/type) OUTLET

____ IP Threaded
____ IP Threaded

E BODY HT. DIM.

1-5/8 [41]
1-7/8 [48]

PREFIXES

____ Z D.C.C.I. Body with Dome*

SUFFIXES

____ -FG Flush Grate (Replaces Dome Strainer)
____ -G Galvanized Cast Iron
____ -R Roof Sump Receiver
____ -SS Stainless Mesh Screen Over Dome
____ -VP Vandal Proof Secured Top

* Regularly furnished unless otherwise specified.