



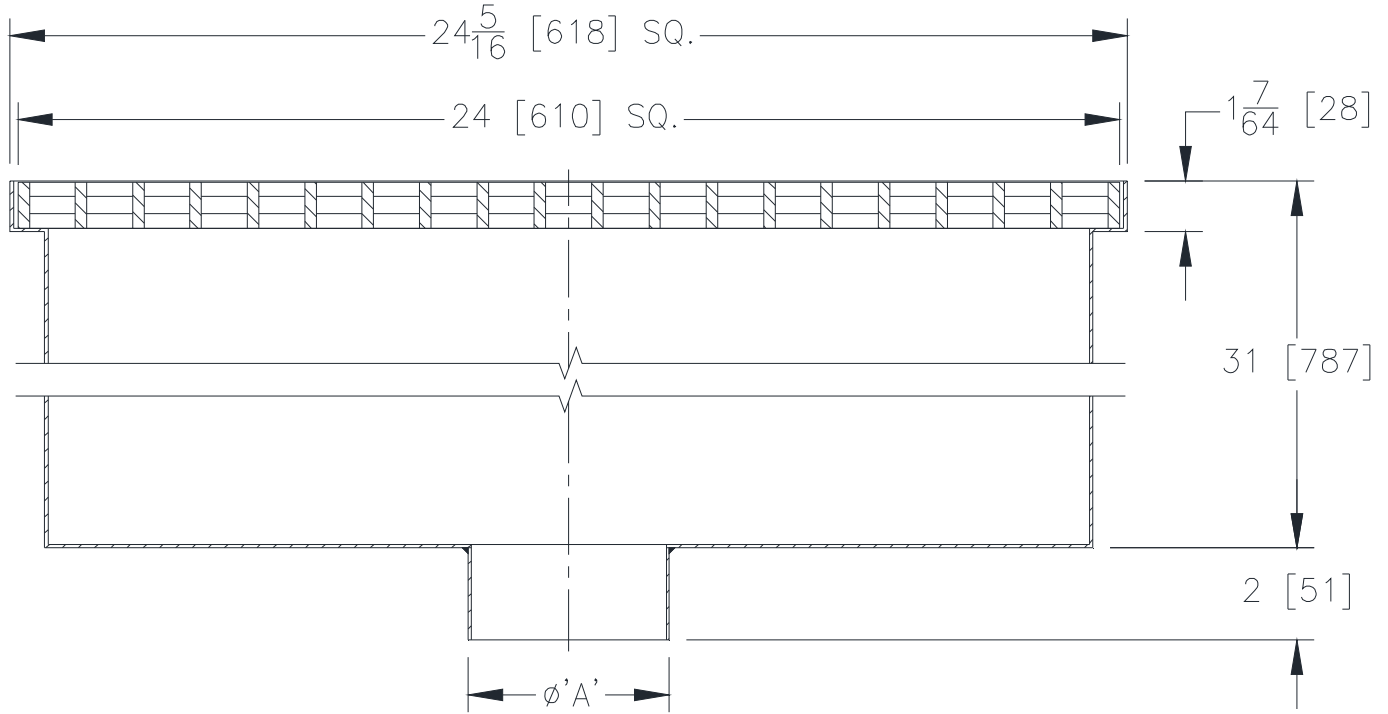
# Z1761-105

24-5/16 [618] SQUARE KETTLE DRAIN  
W/ 31 [787] SUMP DEPTH

SPECIFICATION SHEET

TAG \_\_\_\_\_

Dimensional Data (inches and [ mm ]) are Subject to Manufacturing Tolerances and Change Without Notice



A Pipe Size In. [mm]	Approx. Wt. Lbs. [kg]	Grate Open Area Sq. In. [cm <sup>2</sup> ]
4,6,8 [102,152,203]	72 [33]	425 [2742]

**ENGINEERING SPECIFICATION: ZURN ZS1761-105**  
24-5/16" [618mm] Square x 31" [787mm] deep, 14 gage, all Type 304 (CF8) stainless steel light duty kettle drain with loose set full grate.

### OPTIONS (Check/specify appropriate options)

#### PIPE SIZE

4,6,8 [102,152,203]

(Specify size) **OUTLET**

\_\_\_\_\_ NH No-Hub

#### PREFIXES

- \_\_\_\_\_ Z A.R.E. Coated Fabricated Steel Body and Type 304 (CF8) Stainless Steel Grate
- \_\_\_\_\_ ZS Type 304 (CF8) Stainless Steel Body and Grate\*
- \_\_\_\_\_ ZM Type 316 (CF8M) Stainless Steel Body and Grate

#### SUFFIXES

- \_\_\_\_\_ -PB Perforated Sediment Bucket

\* Regularly furnished unless otherwise specified.