



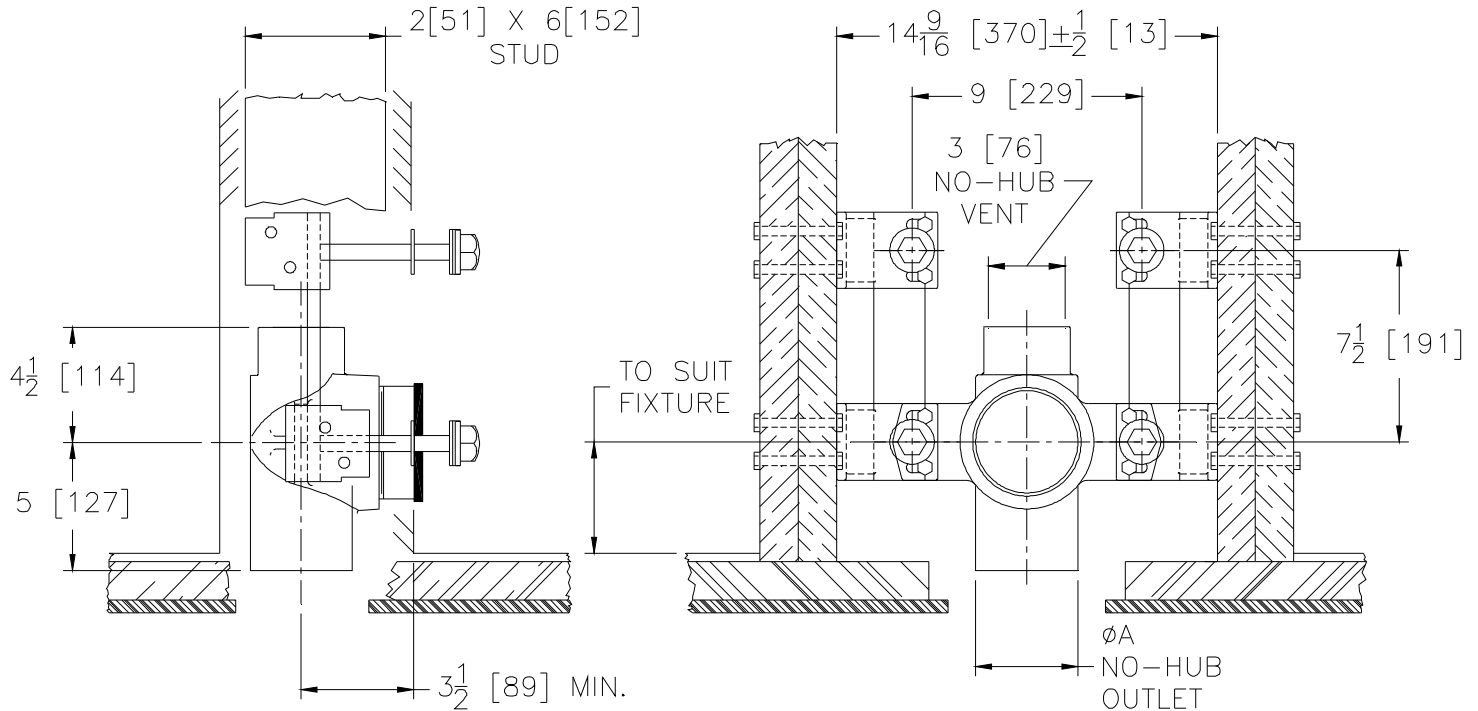
# Z1280-80

SPECIFICATION SHEET

## WOOD STUD SUPPORTED NO-HUB WATER CLOSET CARRIER W/ 3 [76] VENT

TAG \_\_\_\_\_

Dimensional Data (inches and [ mm ]) are Subject to Manufacturing Tolerances and Change Without Notice



Product Number	'A' Outlet Pipe Size in. (mm)	Approx. Wt. Lbs. [kg.]
Z1280-N43-80	4 [102]	40 [18]

**ENGINEERING SPECIFICATION:** ZURN Z1280-80 Residential water closet support system. Complete with Dura-Coated cast iron 4 [102] No-Hub fitting with 3 [76] Vent, support brackets, corrosion resistant ABS coupling, fixture bolts and trim, and bonded "Neo-Seal" gasket.

### PREFIXES

\_\_\_ Z Dura-Coated Bracket and Fitting System\*

### SUFFIXES

- \_\_\_ -CL Coupling Length Greater Than 5 [127] (Specify Length)
- \_\_\_ -HT Hanger Type Closet Adapter
- \_\_\_ -X4 4 [102] Carrier Foot Extension (For -Y only)
- \_\_\_ -Y Foot Support System

\*REGULARLY FURNISHED UNLESS OTHERWISE SPECIFIED

REV.	DATE: 12/21/10	C.N. NO. 120697
DWG. NO. 303797		PRODUCT NO. Z1280-80

ZURN INDUSTRIES, LLC. ♦ SPECIFICATION DRAINAGE OPERATION ♦ 1801 Pittsburgh Ave. ♦ Erie, PA 16514

Phone: 814/455-0921 ♦ Fax: 814/454-7929 ♦ World Wide Web: www.zurn.com

In Canada: ZURN INDUSTRIES LIMITED ♦ 3544 Nashua Drive ♦ Mississauga, Ontario L4V1L2 ♦ Phone: 905/405-8272 Fax: 905/405-1292