



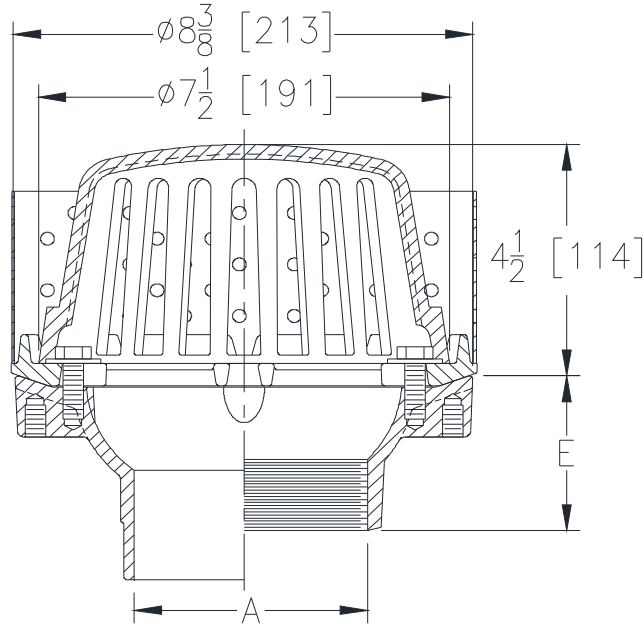
Z125-84

8-3/8 [213] DIAMETER ROOF DRAIN DOME W/
STAINLESS STEEL GRAVEL GUARD

SPECIFICATION SHEET

TAG _____

Dimensional Data (inches and [mm]) are Subject to Manufacturing Tolerances and Change Without Notice



A- Pipe Size In. [mm]	Approx. Wt. Lbs. [kg]	Dome Open Area Sq. In. [cm ²]
2,3,4 [51,76,102]	14 [6]	43 [277]

ENGINEERING SPECIFICATION: ZURN Z125-84

8-3/8" [213mm] Diameter roof drain, Dura-Coated cast iron body with combination membrane flashing clamp/gravel guard, stainless steel perforated gravel guard and low silhouette Poly-Dome.

OPTIONS (Check/specify appropriate options)

PIPE SIZE

- 2,3,4 [51,76,102]
- 2 [51]
- 3 [76]
- 4 [102]
- 2,3,4 [51,76,102]
- 2,3,4 [51,76,102]

(Specify size/type) **OUTLET**

- ___ IC Inside Caulk
- ___ IP Threaded
- ___ IP Threaded
- ___ IP Threaded
- ___ NH No-Hub
- ___ NL Neo-Loc

'E' BODY HT. DIM.

- 3-7/8 [98]
- 2-7/16 [62]
- 2-3/4 [70]
- 3 [76]
- 4 [102]
- 3-13/16 [97]

PREFIXES

- ___ Z D.C.C.I. Body with Poly-Dome (4-1/4 [108] Dome Height)*
- ___ ZA D.C.C.I. Body with Aluminum Dome (4-1/4 [108] Dome Height)
- ___ ZC D.C.C.I. Body with Low Silhouette Cast Iron Dome (4-1/4 [108] Dome Height)

SUFFIXES

- | | |
|---|--|
| ___ -AR Acid Resistant Epoxy Coated Finish | ___ -SS Stainless Mesh Screen Over Dome |
| ___ -C Underdeck Clamp | ___ -TC Neo-Loc Test Cap Gasket
(2,3,4 [51,76,102] NL Bottom Outlet Only) |
| ___ -DP Top-Set® Roof Deck Plate
(Replaces both the -C and -R) | ___ -VP Vandal-Proof Secured Top |
| ___ -E 2 [51] High Static Extension (Specify Height) | ___ -XJ Vertical Expansion Joint (See Z190) |
| ___ -EB Top-Set® Adjustable Extension Assembly | ___ -85 Stainless Steel Perforated Extension |
| ___ -FG Flush Grate | ___ -89 2 [51] High External Water Dam |
| ___ -G Galvanized Cast Iron | ___ -90 90° Threaded Side Outlet Body
(2,3,4 [51,76,102]) |
| ___ -R Roof Sump Receiver | |
| ___ -SC Secondary Clamping Collar | |

* Regularly furnished unless otherwise specified.