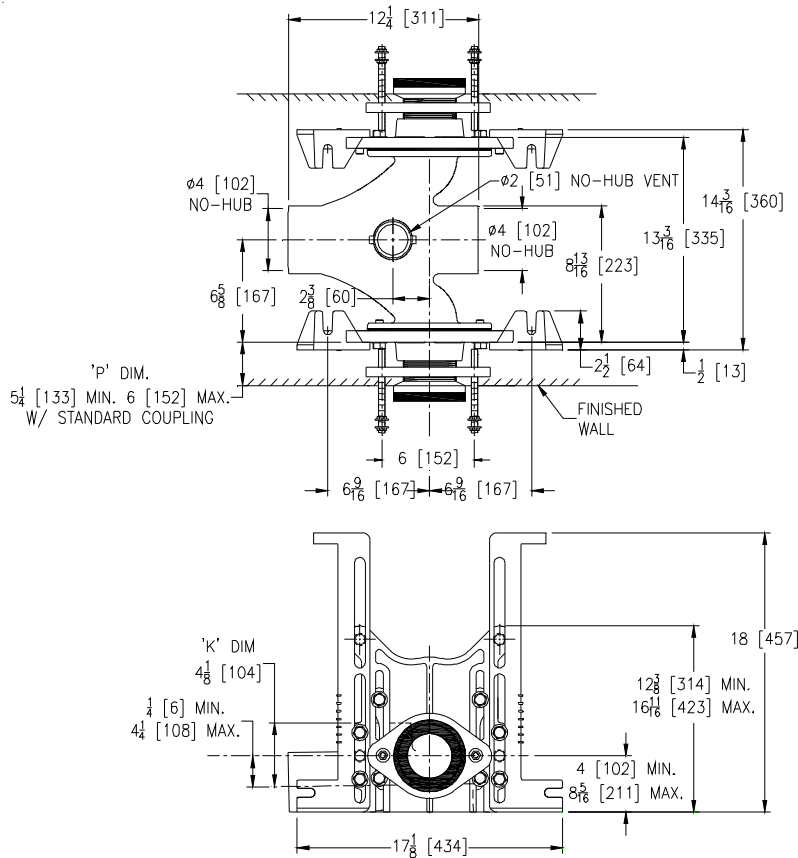




# Z1201-ND4-124

EZCARRY® ADJUSTABLE HORIZONTAL HIGH PERFORMANCE BACK-TO-BACK SIPHON JET NO-HUB WATER CLOSET CARRIER SYSTEM FOR LOW ROUGH IN W/ FLOOR MOUNTED, BACK OUTLET FIXTURE SUPPORT TAG \_\_\_\_\_

Dimensional Data (inches and [mm]) are Subject to Manufacturing Tolerances and Change Without Notice



Product Number	Approx. Wt. lbs [kg]
Z1201-ND4-124	88 [40]

**Note:**

1. Z Coupling, Min. 'P' Dim. Obtainable=2 [51]
  2. ZQ Coupling, Min. 'P' Dim. Obtainable=5 [127]
- 1/2 [13] dia. anchors.

**ENGINEERING SPECIFICATION: ZURN Z1201-ND4-124**

EZCarry® horizontal siphon jet water closet carrier system with high performance waterway and 4" [102mm] no-hub connections. System includes Dura-Coated cast iron double main fitting with hydro-mechanically optimized sweep and extended 2" [51mm] vent, adjustable gasketed low rough in faceplates, universal floor mounted pre-fab slotted foot supports, floor mounted back outlet fixture support, trim, stud protectors, bonded "Neo-Seal" gaskets, and corrosion resistant, adjustable 3" [76mm] dia. X 6" [152mm] couplings with integral test caps designed to increase flow velocity and line carry. Complete with floor mounted back outlet fixture support.

**OPTIONS** (Check/specify appropriate options)

Z1201-ND4-124            4 [102] No-Hub Back-to-Back Inlet (Double)

**PREFIXES**

- \_\_\_ Z     D.C.C.I. System with Zurn ZZ Adjustable Coupling\*
- \_\_\_ ZQ    D.C.C.I. System with NPT Faceplate, Non-Adjustable Coupling

**SUFFIXES**

- \_\_\_ -A     Auxiliary Support Assembly  
(For 'P' Dim. Greater than 18 [457])
- \_\_\_ -CC    Corrosion Resistant Cast Iron Coupling  
(2-1/4 [57] to 12 [305])
- \_\_\_ -CE    EZ-Set™ Coupling (Available 6 [152], 12 [305] or longer when specified. Minimum length=5 [127])
- \_\_\_ -CL    Custom Length Standard Coupling with Integral Test Cap  
(Specify Length 4, 8, 10, 12 [102, 203, 254, 305])
- \_\_\_ -CS    2-1/4 [57] Polymer Coupling with Integral Test Cap
- \_\_\_ -G     Galvanized Cast Iron
- \_\_\_ -M     Auxiliary Foot Support  
(for 'P' Dim. 7 thru 18 [178 thru 457])
- \_\_\_ -RYK    Unistrut Pre-Fab Foot Support
- \_\_\_ -RYK17 One Piece Unistrut Pre-Fab Foot
- \_\_\_ -VP    Vandal-Proof Trim
- \_\_\_ -45    Finishing Frame for Siphon Jet System
- \_\_\_ -50    Flush Valve Supply Support for Water Closets

\* Regularly furnished unless otherwise specified.