



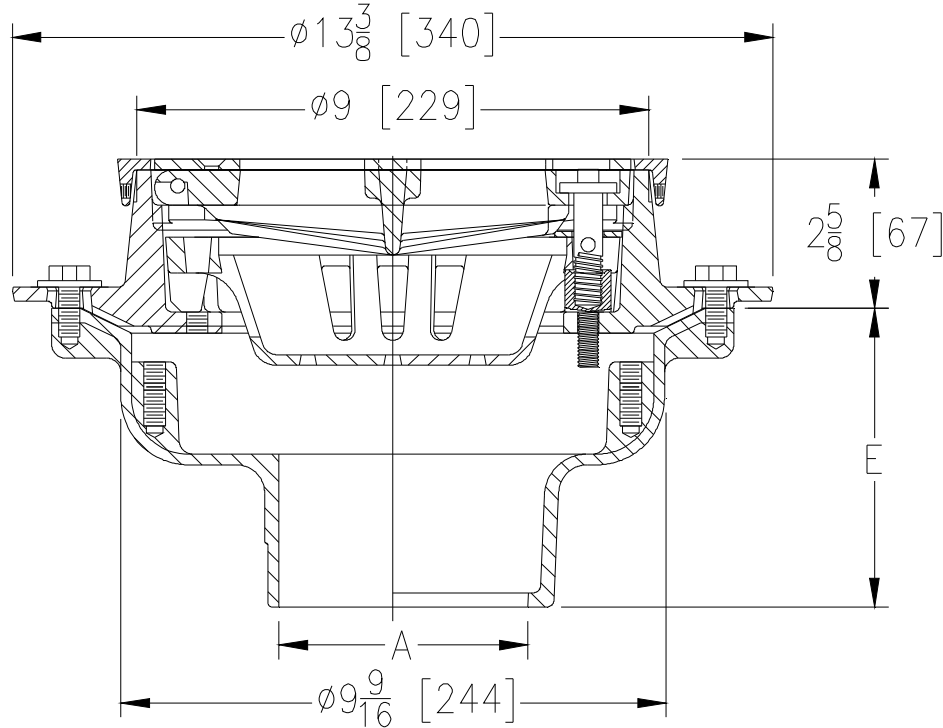
# Z609-92

## 9 [229] SQUARE HEAVY-DUTY DRAIN W/ HEEL-PROOF HINGED LOCKING GRATE

SPECIFICATION SHEET

TAG \_\_\_\_\_

Dimensional Data (inches and [ mm ]) are Subject to Manufacturing Tolerances and Change Without Notice



A Pipe Size In.	Approx. Wt. Lbs. [kg]	Grate Open Area Sq. In. [cm <sup>2</sup> ]
2-3-4 [51-76-102]	30 [14]	24 [155]

**ENGINEERING SPECIFICATION: ZURN ZN609-92**  
9 [229] Square Top Drain, Dura-Coated cast iron body with bottom outlet, seepage pan and combination membrane flashing clamp and frame, for heavy-duty heel-proof hinged locking grate and bucket.

**OPTIONS** (Check/specify appropriate options)

**PIPE SIZE**

- 2-3-4-6 [51-76-102-152]
- 2-3-4-6 [51-76-102-152]
- 2-3-4 [51-76-102]
- 2-3-4 [51-76-102]

(Specify size/type) **OUTLET**

- \_\_\_\_\_ IC Inside Caulk
- \_\_\_\_\_ IP Threaded
- \_\_\_\_\_ NH No-Hub
- \_\_\_\_\_ NL Neo-Loc

**E BODY HT. DIM.**

- 5 1/4 [133]
- 3 3/4 [95]
- 5 1/4 [133]
- 4 5/8 [117]

**PREFIXES**

- \_\_\_\_\_ ZB D.C.C.I. Body w/Polished Bronze Top (Add 3/16 [5] to 2 7/16 [62] Dim.)
- \_\_\_\_\_ ZN D.C.C.I. Body w/Polished Nickel Bronze Top (Add 3/16 [5] to 2 7/16 [62] Dim.)\*

**SUFFIXES**

- \_\_\_\_\_ -AR Acid Resistant Epoxy Coated Cast Iron
- \_\_\_\_\_ -DG Duresist Grate
- \_\_\_\_\_ -F 2 [51] High Extension
- \_\_\_\_\_ -G Galvanized Cast Iron
- \_\_\_\_\_ -GG Galvanized Grate
- \_\_\_\_\_ -P Trap Primer Connection
- \_\_\_\_\_ -S Secondary Strainer
- \_\_\_\_\_ -SC Solid Cover
- \_\_\_\_\_ -SS Stainless Steel Mesh Screen for Bucket
- \_\_\_\_\_ -TS Top Secured with Slotted Screws
- \_\_\_\_\_ -V Backwater Valve (See Z1099)
- \_\_\_\_\_ -VP Vandal-Proof Secured Top
- \_\_\_\_\_ -90 90° Threaded Side Outlet Body

**REV. B    DATE: 08/12/11    C.N. NO. 121892**  
**DWG. NO. P-14331    PRODUCT NO. Z609-92**

\*REGULARLY FURNISHED UNLESS OTHERWISE SPECIFIED