



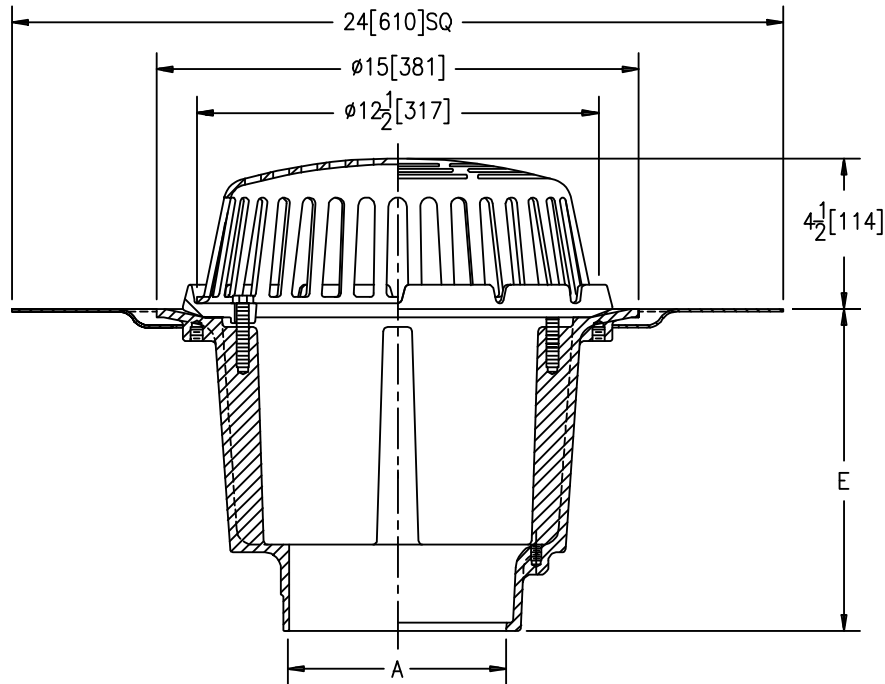
Z104-R

15 [381] DIAMETER DEEP SUMP ROOF DRAIN WITH ROOF SUMP RECEIVER

SPECIFICATION SHEET

TAG _____

Dimensional Data (inches and [mm]) are Subject to Manufacturing Tolerances and Change Without Notice



| A- Pipe Size In. [mm] | Approx. Wt. Lbs. [kg] | Dome Open Area Sq. In. [cm ²] |
|--------------------------|-----------------------------|--|
| 3, 4 [76, 102] | 46 [21] | 103 [665] |
| 6, 8 [152, 203] | | |

ENGINEERING SPECIFICATION: ZURN Z104-R

15" [381mm] Diameter roof drain. Dura-Coated cast iron deep sump body, combination membrane flashing clamp/gravel guard, roof sump receiver and low silhouette Poly-Dome.

OPTIONS (Check/specify appropriate options)

PIPE SIZE

3, 4, 6, 8 [76, 102, 152, 203]
3, 4 [76, 102]

(Specify size/type) OUTLET

_____ NH No-Hub
_____ NL Neo-Loc

'E' BODY HT. DIM.

10 [254]
9-5/16 [236]

PREFIXES

_____ Z D.C.C.I. Body with Poly-Dome*
_____ ZA D.C.C.I. Body with Aluminum Dome
_____ ZC D.C.C.I. Body with Cast Iron Dome

SUFFIXES

| | | | |
|-----------|--|-----------|---|
| _____ -AC | Angular Underdeck Clamp | _____ -SC | Secondary Clamping Collar |
| _____ -AR | Acid Resistant Epoxy Coated Finish | _____ -SS | Stainless Steel Mesh Screen Over Dome |
| _____ -AW | 3/4[19] to 4[102] Adjustable Water Level Regulator | _____ -VP | Vandal Proof Secured Top |
| _____ -C | Underdeck Clamp | _____ -W2 | 2 [50] Internal Water Dam |
| _____ -E | Static Extension 1 [25] thru 4 [102] (Specify Ht) | _____ -W3 | 3 [76] Internal Water Dam |
| _____ -EA | Adjustable Extension Assembly | _____ -W4 | 4 [102] Internal Water Dam |
| _____ -FG | Flush Grate | _____ -84 | Stainless Steel Perforated Gravel Guard |
| _____ -G | Galvanized Cast Iron | _____ -85 | Stainless Steel Perforated Extension |
| _____ -HD | 6-3/4 [171] High Aluminum Dome (148 Sq. In. [955 cm ²] Open Area) | _____ -89 | 2 [50] High External Water Dam |

* Regularly furnished unless otherwise specified.

Zurn Industries, LLC | Specification Drainage Operation
1801 Pittsburgh Avenue, Erie, PA U.S.A. 16502 · Ph. 855-663-9876, Fax 814-454-7929
In Canada | Zurn Industries Limited
3544 Nashua Drive, Mississauga, Ontario L4V 1L2 · Ph. 905-405-8272, Fax 905-405-1292
www.zurn.com

Rev. A
Date: 10/03/2017
C.N. No. 138229
Prod. | Dwg. No. Z104-R